

New Product Announcement

PF Bolt-on Clamp

Issue date: 26 September 2022

New Product Description

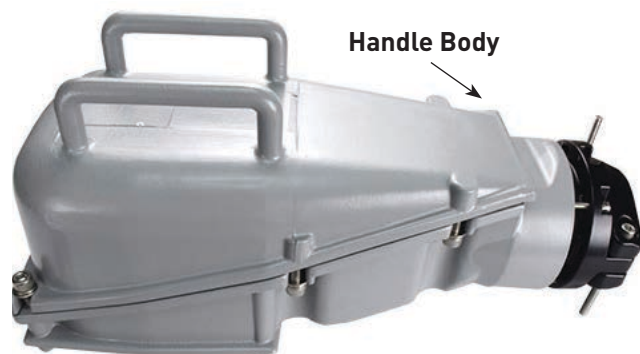
Effective September 26, 2022, MELTRIC will be providing a brand-new bolt-on clamp for its PF angled metal handle. Replacing the existing threaded clamp, this new bolt on clamp is more efficient and easier to use. Sealing is accomplished when an elastomer ring is compressed and secured under the clamp body into the handle body with 4 stainless steel screws (BTR M6 x 40). After sealing the clamp body to the handle body, the clamps are tightened with 2 stainless steel screws (BTR M8). The tightening should be alternated to ensure the clamps go on evenly.



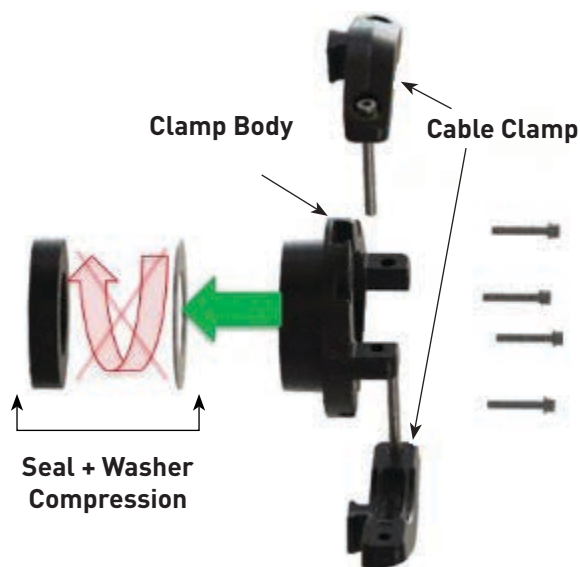
Old Threaded Clamp



New Bolt-On Clamp



Handle Body



Cable Ranges and Part Numbers

Cable Range	Part #
1.575 – 1.968	49-6A913-50
1.968 – 2.362	49-6A913-60
2.362 – 2.756	49-6A913-70
2.756 – 3.150	49-6A913-80
3.150 – 3.543	49-6A913-90

Catalog page 126 is available on the MELTRIC website at meltric.com.

meltric.com

4765 W. Oakwood Park Drive • Franklin, WI 53132
414-433-2700 • Fax 414-433-2701

©2022 MELTRIC Corporation. All rights reserved. PFBOLTONCLAMP_A

MELTRIC
A COMPANY OF MARECHAL ELECTRIC

FAQs

Will this bolt-on clamp be available for the straight metal handle?

Yes, this new bolt-on clamp will be released for the straight metal handle in the first quarter of 2023.

What are the environmental ratings?

The environmental ratings for the handle and the bolt-on clamp remain the same as the previous handle and threaded clamp. The sealing function allows for IP66/67 environmental ratings.

Is there an NPT adapter still available?

Yes, the NPT adapter accessory remains available and allows the user to connect a third-party cord to the PF handle.

Is there a price difference between this new bolt-on clamp and the previous threaded clamp?

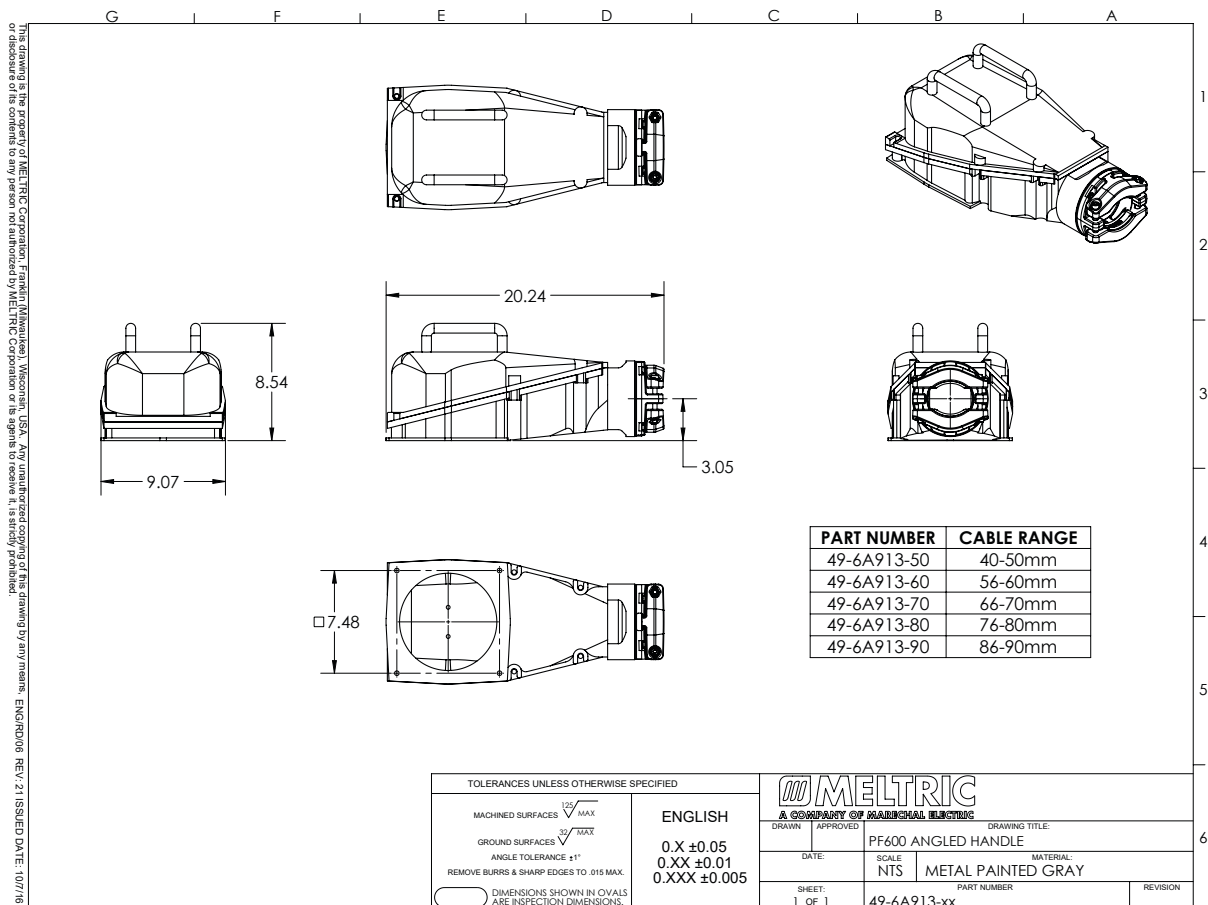
No, there is no price increase for this new bolt-on clamp.

I have other questions. Is there someone I can call for product information?

Yes, live-by-phone Customer Service and Engineering support are available Monday through Friday from 7:00AM-5:00PM Central Time.

Call 414-433-2700 for assistance. The MELTRIC website is another great resource for product information, application solutions, brochures, and catalogs. It is available 24/7/365 at meltric.com.

Drawing



Société d'Exploitation des Procédés Maréchal Copyright

M:\Photo Library\Website\drawings\s2c-acc\

INSTALLATION ACCESSORIES – SIZE C & F

HANDLES

METAL STRAIGHT HANDLE	Angle	Part #
PFQ300	0°	47-3A013-XXX
PF300	0°	49-3A013-XXX
PF400	0°	49-4A013-XXX
PF600	0°	49-6A013-XXX

METAL ANGLE HANDLE	Angle	Part #
PFQ300	90°	47-3A913-XXX

THREADED CLAMP W/CABLE RANGE	XXX (Suffix #)
2.000 - 2.125"	-200
2.125 - 2.250"	-225
2.250 - 2.375"	-237
2.375 - 2.500"	-250
2.500 - 2.750"	-275
2.750 - 3.000"	-300
3.000 - 3.125"	-312
3.125 - 3.350"	-335
3.350 - 3.577"	-350

NPT ADAPTER	NPT	NXX (Suffix #)
	2.0"	-N20
	2.5"	-N25
	3.0"	-N30

Threaded Adapter For available cord grips, see page 169

90° ANGLED METAL HANDLE W/BOLT-ON CLAMP	ANGLE	Part #
PF300/400/600	90°	49-6A913-XX

BOLT-ON CLAMP W/CABLE RANGE	XX (Suffix #)
1.575 - 1.968"	-50
1.968 - 2.362"	-60
2.362 - 2.756"	-70
2.756 - 3.150"	-80
3.150 - 3.543"	-90

NPT ADAPTER	NPT	NXX (Suffix #)
	2.0"	-N20
	2.5"	-N25
	3.0"	-N30

Bolt-on Adapter For available cord grips, see page 169

Accessory Spotlight - NPT Adapter

Straight or Angled Handle (not included with adapter)

Cord Grip w/Mesh

The NPT adapter accessory allows the user to connect a third-party cord grip to the PF/PFQ handle.

BOXES

METAL BOX	Part #
PFQ300	MB40PFQ-XX
PF300	MB40-XX
PF400	MB40-XX
PF600	MB40-XX

This box is a heavy-duty powder coated aluminum back box with removable cover. Conduit entry hub up to 4" NPT can be ordered on one or both ends or even on the back of the enclosure. Multiple hubs and sizes can be ordered for installs with parallel entry's on one end of the box.

HUB SIZES	NPT	XX (Suffix #)
	2.0"	-20
	2.5"	-25
	3.0"	-30
	3.5"	-35
	4.0"	-40

STAINLESS STEEL BOX	NPT	PFQ
24"x16"x8"	2.0"	47-4A023-N020
	2.5"	47-4A023-N025
	3.0"	47-4A023-N030
	4.0"	47-4A023-N040

STAINLESS STEEL BOX	NPT	PFQ
36"x16"x12"	2.0"	47-4A023-N520
	2.5"	47-4A023-N525
	3.0"	47-4A023-N530
	4.0"	47-4A023-N540

These enclosures offer additional interior volume for extra wiring space. Both size enclosures have two removable covers and a one piece back pan installed for customer convenience. Conduit entry up to 4" NPT is limited to the bottom of the enclosure.

MISC. ACCESSORIES

INLET METAL CAP	Part #
PFQ300	47-3A126
PF300	49-3A126
PF400	49-4A126
PF600	49-6A126

RECEPTACLE METAL CAP	Part #
PFQ300	47-3A925
PF300	49-3A925
PF400	49-4A925
PF600	49-6A925

WEIGHTS

PART	PF	PFQ
Inlet	15 lbs	9 lbs
Receptacle	25 lbs	12 lbs
Angled Handle	15 lbs	12 lbs
Straight Handle	10 lbs	10 lbs
Junction Box	45 lbs	45 lbs
Cap	12 lbs	3 lbs
Stainless Steel Box	85 lbs	55 lbs

HIGH AMPACITY