

# Product Improvement Announcement

## New Poly Receptacle Casing for DS60, DS100C, DR100, DSDC6, DS7c, and DR7c

Issue date: 30 June 2022

### Product Change

Effective June 30th, 2022, the DS60, DS100C, DR100, DSDC6, DS7c, and DR7c (size 4 devices) will be supplied with a new, improved poly receptacle casing. This change elevates the design of the casing so that it is similar in appearance and performance to other MELTRIC product lines.

### Product Improvements

- The new design offers a more robust material, improved mating ergonomics, and reduced mating force necessary to connect devices
- A silicone double-lipped gasket is now assembled in the receptacle casing as opposed to the receptacle lid. This allows for Type 4X, IP69 watertightness when the receptacle casing lid is closed and/or the inlet/receptacle is connected.
- The lid now opens at a 180° angle as standard instead of the previous casing lid which only opened at a 90° angle. The lid can also open at 120° angle and achieves the 180° angle when the lid passes a hard point.



**New Casing**



**Old Casing**

[meltric.com](http://meltric.com)

4765 W Oakwood Park Drive • Franklin, WI 53132  
800.433.7642 • Fax 414.433.2701

©2022 MELTRIC Corporation. All rights reserved. PIASZ4POLYCASING\_A

**MELTRIC**  
A COMPANY OF MARECHAL ELECTRIC

## Compatibility

DS60, DS100C, DR100, DSDC6 Environmental Rating Compatibility Table			
	Old Receptacle 3R	Old Receptacle 4X	New Receptacle with Gasket 4X, IP69/IP69K
Old Inlet 3R	3R	3R	3R
Old Inlet 4X	3R	4X	Must remove existing 4X inlet gasket or replace existing 4X inlet to achieve mated 4X rating
New Inlet 4X, IP69/IP69K	3R	Must add provided inlet gasket or replace existing 4X receptacle to achieve mated 4X rating	Type 4X weathertightness is now standard, therefore the 4X option has been removed from the catalog

## FAQs

### Can I still order the -4X watertightness option?

The -4X option is no longer available on the DS60 and other size 4 devices because Type 4X watertightness is now standard.

### Will the new and improved poly casing on the receptacle mate with an existing inlet that has a 4X rating?

No. Proper connection of an existing 4X inlet with gasket and new style receptacle casing is not possible. Inlet gasket must be removed to achieve 4X environmental rating.

### Can I still order the -180° option for the 180° lid?

The 180° option is no longer available on the DS60 and other size 4 devices because this feature is now standard.

### Are there new part numbers for the new poly casing?

No. The catalog part numbers on the poly receptacle will stay the same.

### Will there be a price increase?

Pricing will remain the same.

### Is the casing the same size?

The actual dimensions are slightly larger on the casing. However, the mounting dimensions remain identical, and the casing remains compatible with existing inlets and all accessories. The drawing for the DS60 is attached.

### What is the best way to guarantee 4X watertightness when mixing old and new 4X rated devices?

The best way to ensure a 4X seal is to make sure only one of the mating devices has a gasket. The sealing gasket can be on either the inlet or receptacle, but not both. A spare inlet gasket will be supplied with all new inlets and receptacles along with instructions on how and when it should be used.

# Instructions

INSTRUCTIONS

## GASKET KIT SUPPLIED with INLET for DS60, DS100C, DR100 and DSDC6

⚠ These instructions must be followed to ensure the safe and proper installation, operation and maintenance of the MELTRIC devices. Before installation, disconnect all sources of power to the circuit to eliminate the risk of electrical shock.

### GENERAL

The installation of a gasket is required when a new male inlet will be connected to an existing old style female receptacle (where the gasket is located on the lid) in applications where Type 4X washdown ratings are required. (See below images)

**NOTICE:** A gasket is not required for applications where Type 3R ratings are acceptable (Type 4X washdown ratings not required) or when a new male inlet will only be connected to new style female receptacle.

**NOTE:** Proper connection of an inlet with gasket and new style receptacle is not possible.

NEW Style RECEPTACLE	OLD Style RECEPTACLE	INSTRUCTIONS:
<p>New pawl New gasket</p>	<p>Old pawl Old gasket</p>	<ol style="list-style-type: none"> <li>1. If gasket provided has adhesive backing, install with paper side down. *Do not remove paper.</li> <li>2. Work the gasket down to the inlet shoulder.</li> </ol>



4765 W Oakwood Park Dr. • Franklin, WI 53132 • 800.433.7642 • Fax: 414.433.2701  
CUSTINFODS6GASKET A

INSTRUCTIONS

## GASKET KIT SUPPLIED with RECEPTACLE for DS60, DS100C, DR100 and DSDC6

⚠ These instructions must be followed to ensure the safe and proper installation, operation and maintenance of the MELTRIC devices. Before installation, disconnect all sources of power to the circuit to eliminate the risk of electrical shock.

### GENERAL

If the inlet to be mated with this receptacle is rated Type 4X and equipped with a gasket as shown, it is necessary to remove the gasket. It is normal that some gasket material remains stuck to the inlet. This will not compromise watertightness ratings.

**NOTE:** Proper connection of an inlet with gasket and new style receptacle is not possible.

If the inlet that had gasket removed will also be used with old style receptacle, then enclosed gasket should be temporarily installed according to the following instructions.



### INSTRUCTIONS:



1. If gasket provided has adhesive backing, install with paper side down. \*Do not remove paper.

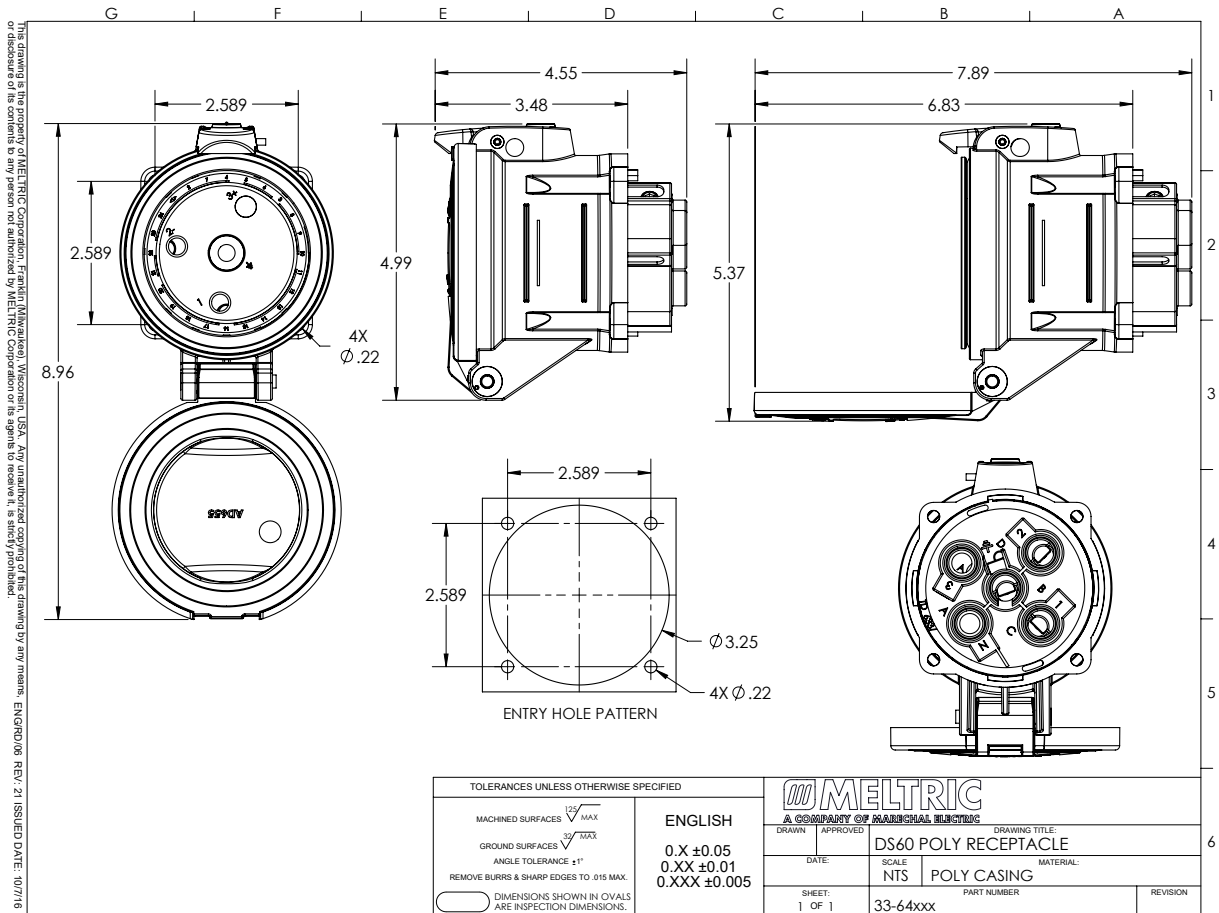


2. Work the gasket down to the inlet shoulder.



4765 W Oakwood Park Dr. • Franklin, WI 53132 • 800.433.7642 • Fax: 414.433.2701  
CUSTINFODS6GASKET A

# Dimensions



Société d'Exploitation des Procédés Maréchal Copyright

M:\Photo Library\Website\drawings\ds60\New Poly Receptacle Jan 2022\