

Product Improvement Announcement

Metal Receptacle Casing for DS200, DR250, DSDC2

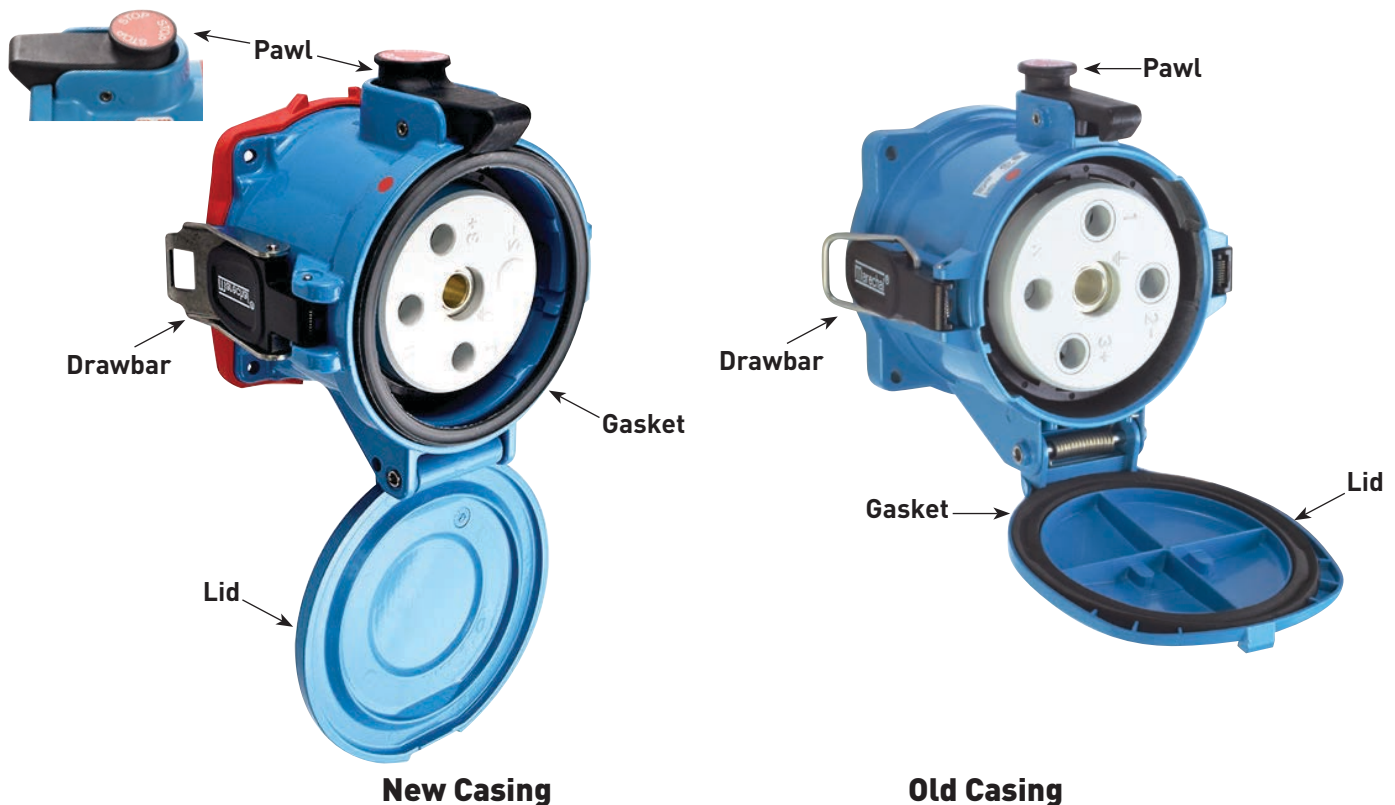
Issue date: 20 January 2022

Product Change

Effective January 20, 2022, the DS200, DR250, and DSDC2 (size 6 devices) will be supplied with a new, improved metal receptacle casing. This change elevates the design of the casing so that it is similar in appearance and performance to other MELTRIC product lines.

Product Improvements

- New robust material. The metal casing is now made of injected Aluminum for improved impact resistance.
- A silicone double-lipped gasket is now assembled in the receptacle casing as opposed to the receptacle lid. This allows for automatic Type 4X, IP69 watertightness when the receptacle casing lid is closed and/or the inlet/receptacle is connected.
- The lid now opens at a 180° angle as standard instead of the previous casing lid which only opened at a 90° angle. The option for a 180° angle is no longer necessary and has been removed.
- The new pawl is now larger and more robust.
- A stronger and more secure draw bar and clip is now incorporated on this new casing.



meltric.com

4765 W. Oakwood Park Drive • Franklin, WI 53132
800.433.7642 • Fax 414.433.2701

©2022 MELTRIC Corporation. All rights reserved. PIASZ6METCASING_B

MELTRIC
A COMPANY OF MARECHAL ELECTRIC

Compatibility

The receptacle casings incorporated modifications that allows the coupled receptacle and inlet to achieve a Type 4X environmental rating. To manage all compatibility cases with the existing DS200, DR250, and DSDC2 devices already installed in the field, an inlet gasket kit with instructions is provided with the inlets. See the compatibility table below.

DS200, DR250, DSDC2 Environmental Rating Compatibility Table			
	Old Receptacle 3R	Old Receptacle 4X	New Receptacle with Gasket 4X, IP69/IP69K
Old Inlet 3R	3R	3R	3R
Old Inlet 4X	3R	4X	4X 32-2A056 Gasket Kit NOT Required
New Inlet 4X, IP69/IP69K	3R 32-2A056 Gasket Kit NOT Required	4X 32-2A056 Gasket Kit Required	4X IP69/IP69K 32-2A056 Gasket Kit NOT Required

FAQs

Can I still order the -4X watertightness option?

The -4X option is no longer available on the DS200 and other size 6 devices because Type 4X watertightness is now standard.

Will the new and improved metal casing on the receptacle mate with an existing inlet that has a 4X rating?

Yes, the metal casing for the receptacle will mate with an existing inlet that has a Type 4X rating. Additionally, the metal casing can also mate with an existing inlet that does not have a 4X rating; however, the environmental rating of the mated pair will default to Type 3R rating.

Can I still order the -180° option for the 180° lid?

The 180° option is no longer available on the DS200 and other size 6 devices because this feature is now standard.

Are there new catalog part numbers for the new metal receptacle?

No. The catalog part numbers on the metal receptacle will stay the same.

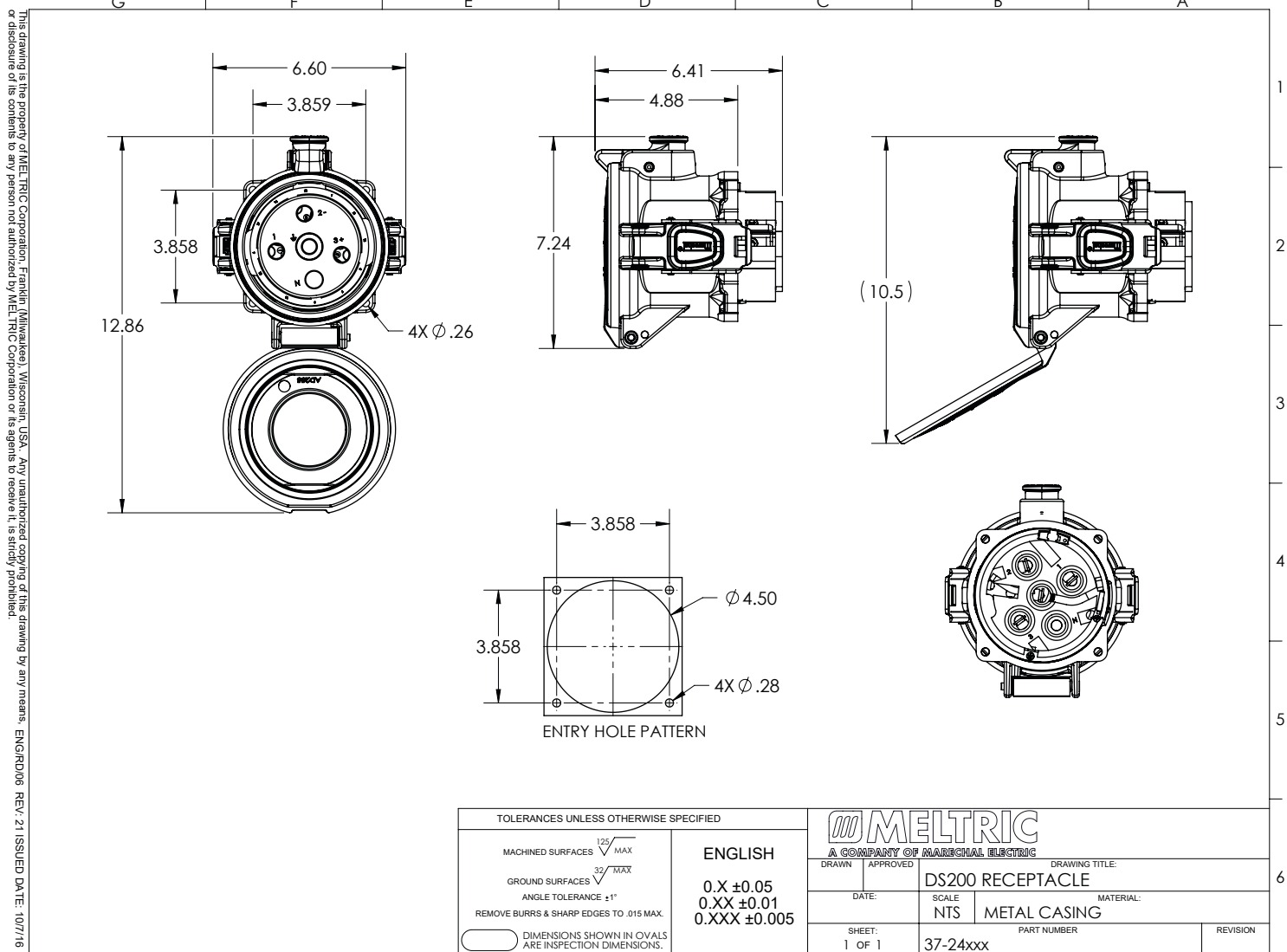
Will there be a price increase?

No. Pricing will remain the same until 2022 update.

Is the casing the same size?

The actual dimensions are slightly larger on the casing. However, the mounting dimensions remain identical and the casing remains compatible with existing inlets and all accessories. The drawings are attached.

Dimensions



TOLERANCES UNLESS OTHERWISE SPECIFIED		 MELTRIC A COMPANY OF MARECHAL ELECTRIC	
MACHINED SURFACES $\sqrt[125]{\text{MAX}}$ GROUND SURFACES $\sqrt[32]{\text{MAX}}$ ANGLE TOLERANCE $\pm 1^\circ$ REMOVE BURRS & SHARP EDGES TO .015 MAX.	ENGLISH 0.X ± 0.05 0.XX ± 0.01 0.XXX ± 0.005		
DIMENSIONS SHOWN IN OVALS ARE INSPECTION DIMENSIONS.		DATE: SCALE NTS	MATERIAL: METAL CASING
		SHEET: 1 OF 1	PART NUMBER 37-24xxx
			REVISION

Société d'Exploitation des Procédés Maréchal Copyright

M:\Photo Library\Website\drawings\ds200\NEW RECEPTACLE 2021\