

Product Improvement Announcement

Metal Receptacle Casing for DR400

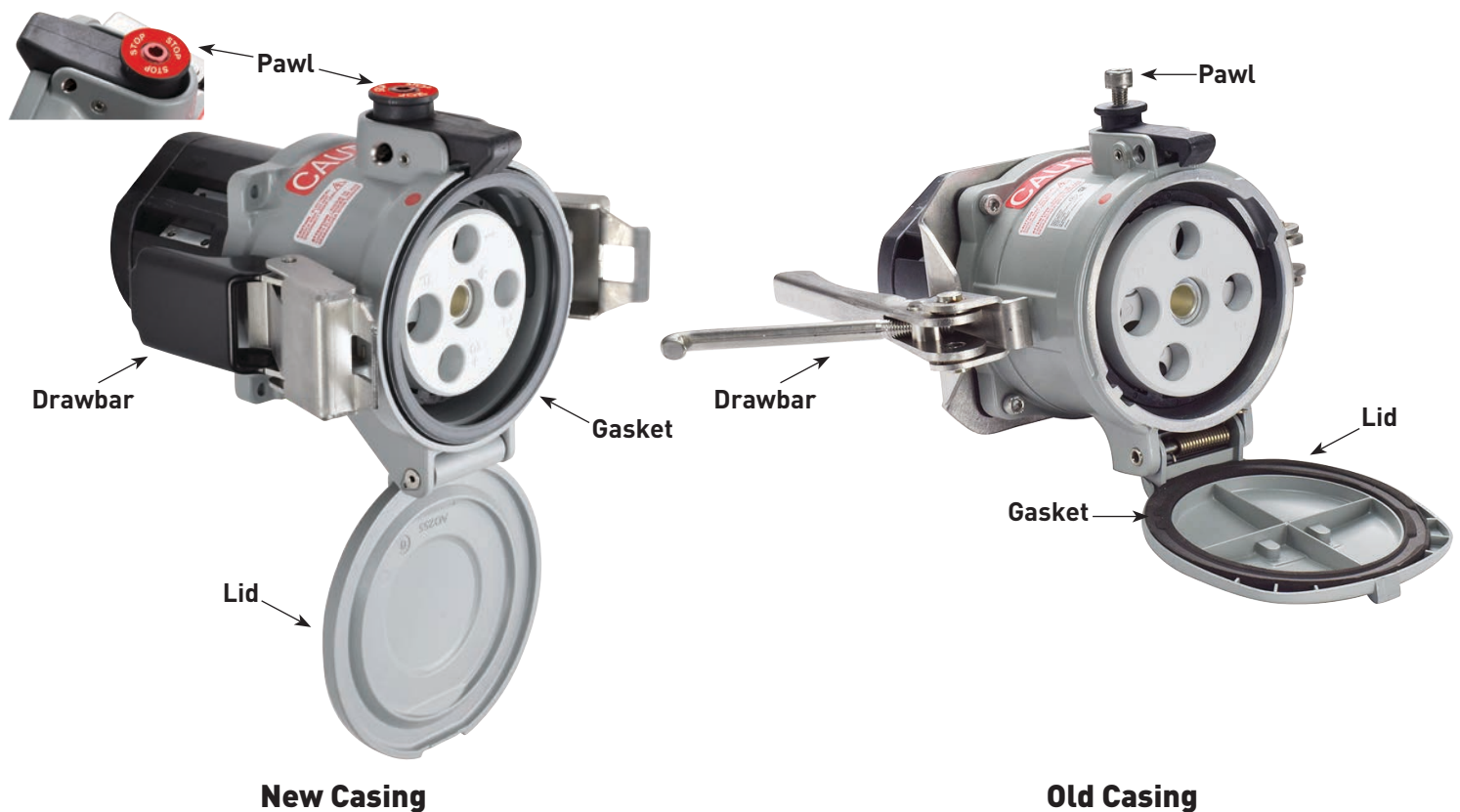
Issue date: 17 January 2022

Product Change

Effective January 17, 2022, the DR400 will be supplied with a new, improved metal receptacle casing. This change elevates the design of the casing so that it is similar in appearance and performance to other MELTRIC product lines.

Product Improvements

- New robust material. The metal casing is now made of injected Aluminum for improved impact resistance.
- A silicone double-lipped gasket is now assembled in the receptacle casing as opposed to the receptacle lid. This allows for Type 4X, IP69 watertightness when the receptacle casing lid is closed and/or the inlet/receptacle is connected.
- The lid now opens at a 180° angle as standard instead of the previous casing lid which only opened at a 90° angle. The option for a 180° angle is no longer necessary and has been removed.
- The new pawl is now larger and more robust with the addition of a red “stop” label.
- A stronger and more secure draw bar and clip is now incorporated on this new casing.



meltric.com

4765 W OakwoodPark Drive • Franklin, WI 53132
800.433.7642 • Fax 414.433.2701

©2022 MELTRIC Corporation. All rights reserved. PIADR400METCASING_A

MELTRIC
A COMPANY OF MARECHAL ELECTRIC

Compatibility Solutions

While the new casing provides a great number of product improvements, compatibility solutions need to be considered when mating an old inlet with a new receptacle or a new inlet with an old receptacle. The new 39-A396 inlet compatibility kit allows you to make the new receptacle and upgraded drawbars compatible with old inlets that are installed in the field. MELTRIC will include 39-A396 with each new inlet. If mating a new receptacle with an old inlet the 39-A396 compatibility kit will need to be purchased as an accessory.

The kit also ensures IP compatibility with an old inlet.



	OLD RECEPTACLE	NEW RECEPTACLE	NEW RECEPTACLE + OLD DRAWBAR SYSTEM
OLD INLET (with old plate)	✓	✗	✓
NEW or OLD INLET (without plate)	✗	✓	✗
NEW INLET + INLET KIT	✓	✓	✓

It is recommended to only install the old drawbar system on the new receptacle when you are unable to use 39-A396 inlet compatibility kit on an old inlet installed in the field. The new receptacle drawbars can be removed and replaced with the old drawbars. Please contact customer service at 1-800-433-7642 to discuss possible solutions.

FAQs

Can I still order the -4X watertightness option?

The -4X option is no longer available on the DR400 because Type 4X watertightness is now standard.

Can I still order the -180° option for the 180° lid?

The 180° option is no longer available on the DR400 because this feature is now standard.

Are there new catalog part numbers for the new metal receptacle?

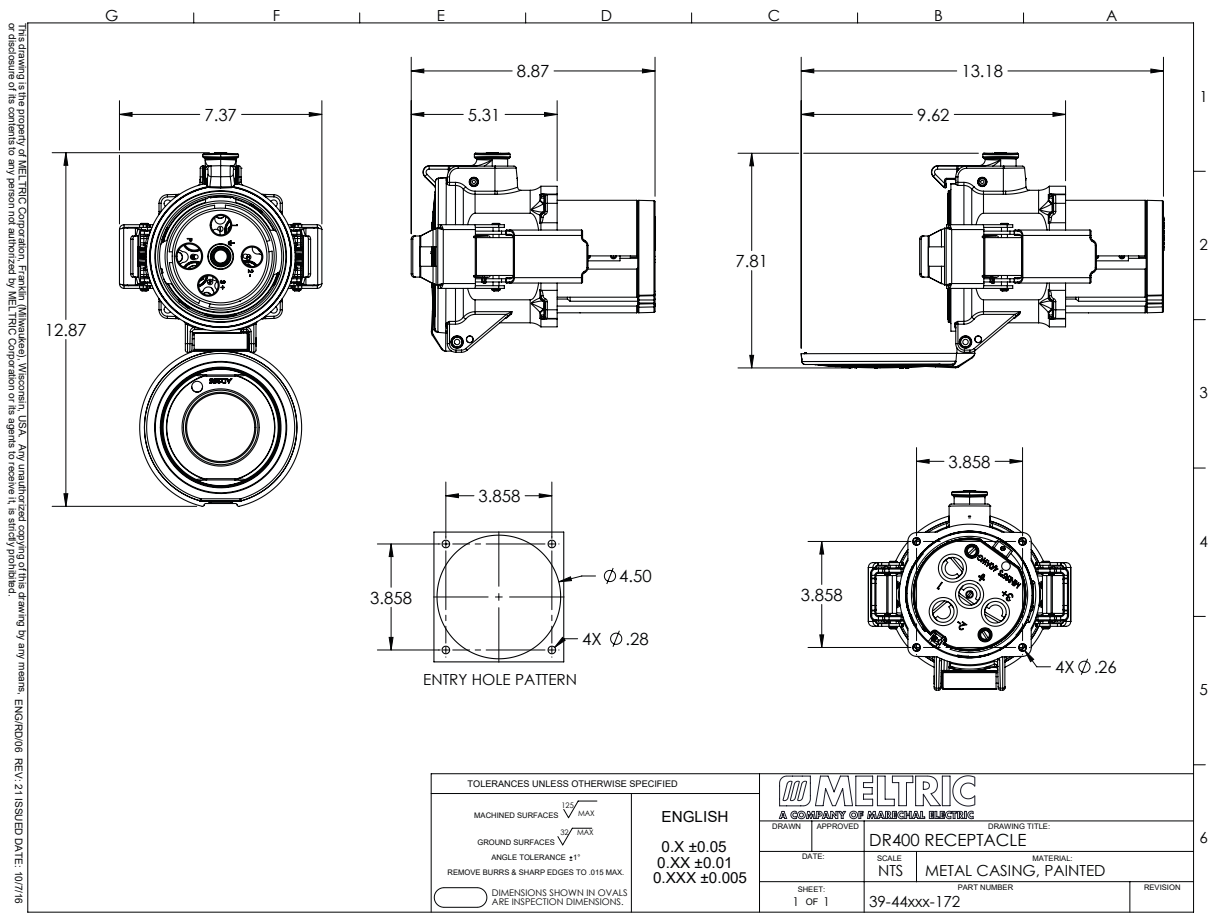
No. The catalog part numbers on the metal receptacles will stay the same.

Will there be a price increase?

No. Pricing will remain the same until 2022 update.

Is the casing the same size?

The actual dimensions are slightly larger on the casing. However, the mounting dimensions remain identical and the casing remains compatible with existing inlets and all accessories. The drawings are attached.



Société d'Exploitation des Procédés Maréchal Copyright

M:\Photo Library\Website\Drawings\dr400\NEW DR4 RECEPTACLE 11-17-2021\