

New Product Announcement

RETTBOX® S

Issue date: 06 December 2021

MELTRIC Introduces New RETTBOX® S



The **RETTBOX® S** is a professional use, load-breaking, self-ejecting compact plug and receptacle designed to provide power to vehicles and onboard equipment requiring electricity. The reinforced thermoplastic receptacle and box ensure excellent resistance to impacts (IK01), UVs, temperature variations (-40°F/+140°F), and high electrical isolation creating the most reliable and durable electric vehicle plug and receptacle on the market to date.

RETTBOX® S comes with the choice of 20 or 30 A ratings, multiple voltage configurations ranging from 110 VAC to 480 VAC, and is equipped with MELTRIC's signature feature, DECONTACTOR™ Technology, for optimal safety. The standard enclosure includes a green LED indicator to confirm voltage presence. Additionally, a yellow LED light indicator can be added on the enclosure to confirm secure battery charging.

This easy-to-install electromagnetic self-ejection plug and receptacle boasts a black flush-mounted plate that recesses into the vehicle body frame. The base plate is designed with a discrete low profile and rounded corners to avoid impact damage and injury, as well as a swivel lid that guarantees IP54 protection.

FAQs

What are the bolt hole and installation dimensions (in.)?

The bolt sizes on the enclosure are 4.72 inches and the enclosure plate is a square that is 3.78 inches. Visit page 176 of the MELTRIC catalog to see a full diagram with dimensions.

Does the product come in 16 A and 30 A versions?

The **RETTBOX® S** is not offered in 16 A but is available in 20 and 30 A models.

Is the RETTBOX® S UL listed?

RETTBOX® S meets IEC standards, not UL.

meltric.com

4765 W. Oakwood Park Drive • Franklin, WI 53132
414-433-2700 • Fax 414-433-2701

©2021 MELTRIC Corporation. All rights reserved. NPA RETTBOX_S_WEB_A

 **MELTRIC**
A COMPANY OF MARECHAL ELECTRIC

FAQs (continued)

Is the RETTBOX® S available now? Can I purchase parts?

Yes, the **RETTBOX® S** is currently available to order. The device is manufactured at the MELTRIC factory in Franklin, WI. Most products are shipped within two days. We are selling only the part numbers listed in the catalog at this time. No spare/replacement parts are available separately.

I have other questions. Is there someone I can call for product information?

Yes, live-by-phone Customer Service and Engineering support are available Monday through Friday from 7:00 AM - 5:00 PM Central Time.

Call 414-433-2700 for assistance. The MELTRIC website is another great resource for product information, application solutions, brochures, and catalogs. It is available 24/7/365 at meltric.com.

RETTBOX[®] S Electromagnetic Self-Ejection

NEW!



Main Advantages

- ▶ Durable in harsh environments
- ▶ Available in multiple voltage configurations
- ▶ Safety features provide maximum protection
- ▶ Easy plug insertion and removal



! See pages 243-252 for detailed information on these options

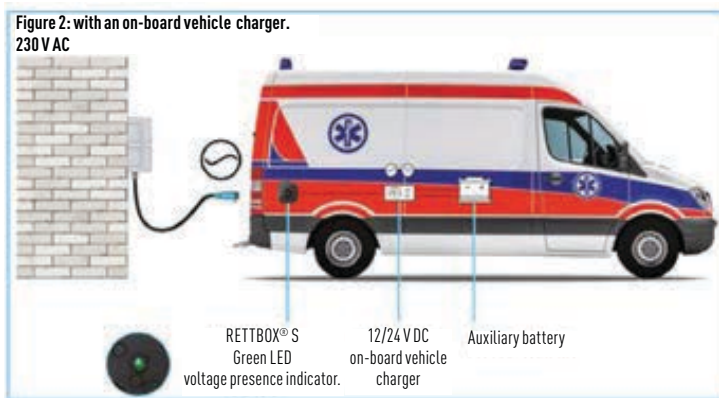
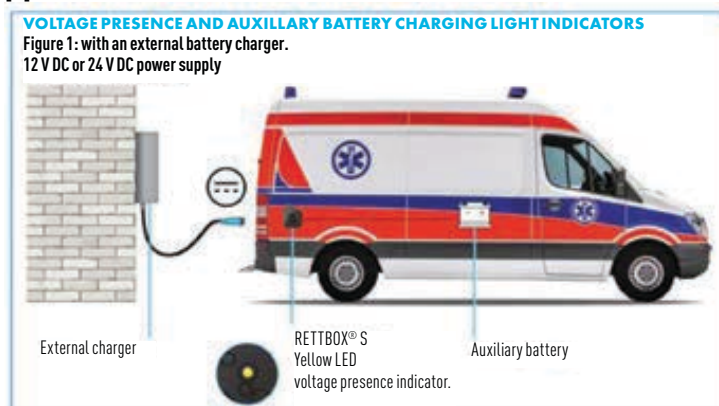
- ▶ Features and Ratings p. 174
- ▶ RETTBOX[®]S p. 175
- ▶ Dimensions p. 176

PRODUCT FEATURES

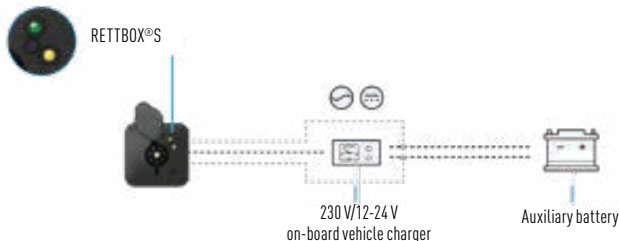
RETTBOX® S is a professional use compact and load-breaking, self-ejecting plug. The best-in-class industrial socket-outlet providing RETTBOX® S complies with the following standards:

- European Low Voltage Directive and RoHS, European REACH regulation
- IEC/EN 61984, IEC/EN 60947-3

Applications



OPTION: Order a 24 V yellow LED battery charging indicator. Reference 151ALED-24J



Operating Instructions



1. Easy to Install.

Direct enclosure on the vehicle body.

Direct wiring to the vehicle battery or the auxiliary battery.

Possible integration onto curved vehicle bodies.



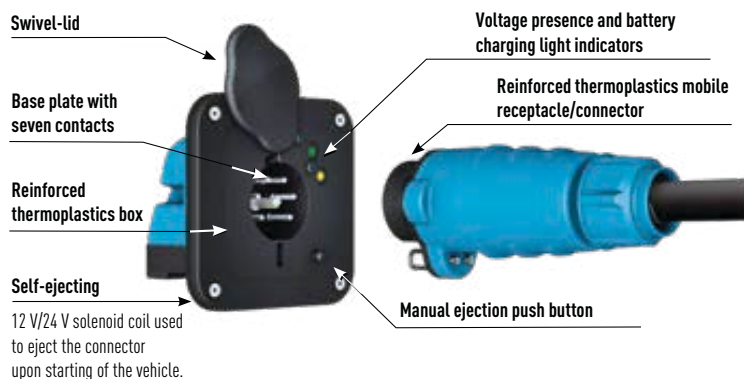
Easy to use

1. Easy Connection
 - Straight single-hand insertion.
 - Good grip feeling with the handle.
 - Normally closed swivel-lid.
2. Automatic ejection when the vehicle is starting.
3. Manual ejection of the plug also available (push button)

SPECIALTY PRODUCTS

ELECTROMAGNETIC SELF-EJECTION RETTBOX® S

PRODUCT FEATURES



Other Features

OTHER FEATURES	RETTBOX® S
Front	GRP
Box	GRP
Front dimensions (W x H)	4.72" x 4.72"
Cut out dimensions on vehicle frame (W x H x D)	3.38" x 3.23" x 3.27"
Weight enclosure	0.88 lb
Built-in DECONTACTOR™	20 A or 30 A

RETTBOX® S ElectroMagnetic Self-Ejection

Enclosure



Receptacle



- Ratings**
- **Voltage**
480 VAC or 24 VDC
 - **Amperage Ratings**
20 A or 30 A
 - **Environmental Ratings**
IP54
 - **Temperature Range**
Min -40°F / Max 140°F
 - **Wiring Capacity**
Min 14 AWG Max 10 AWG
 - **Terminal Type**
Screw
 - **Applicable Standards**
IEC

Voltage	Amperage	Polarity	Part # Enclosure	Part # Connector	
				Straight Cable Range 0.19-0.83	60° Angle Cable Range 0.35-0.71
380-480 VAC	30	6P+G	15-36036	15-33036	15-C3036
220-250 VAC	20	6P+G	15-16016	15-13016	15C3016
110-130 VAC	20	6P+G	15-16056	15-13056	15-C3056
24 VDC	20	6P+G	15-16046	15-13046	15-C3046
12 VDC	20	6P+G	15-16026	15-13026	15-C3026

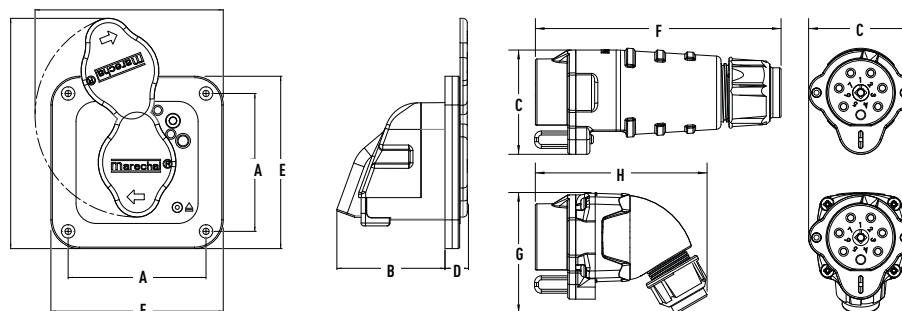
OPTIONS

CHARGING INDICATOR

151ALED-24J 24 V yellow LED battery charging indicator

RETTBOX® S DIMENSIONS – Provided in Inches

Dimensions are for reference only and may change depending on accessories used. For precise dimensions contact MELTRIC Engineering.



PRODUCT	A	B	C	D	E	F	G	H
RETTBOX® S	4.72	2.95	2.60	0.63	3.78	6.14	3.03	4.29