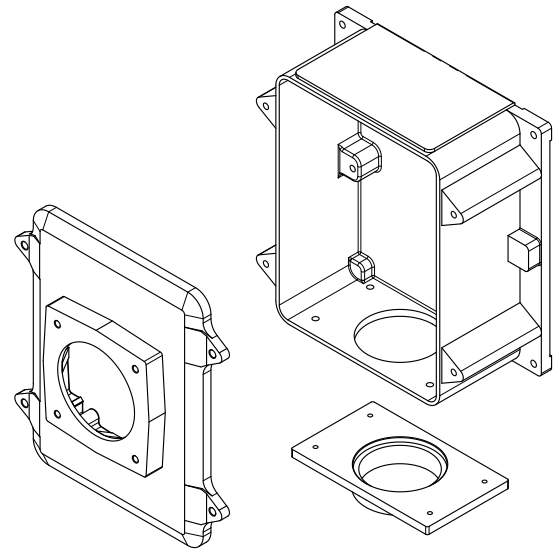
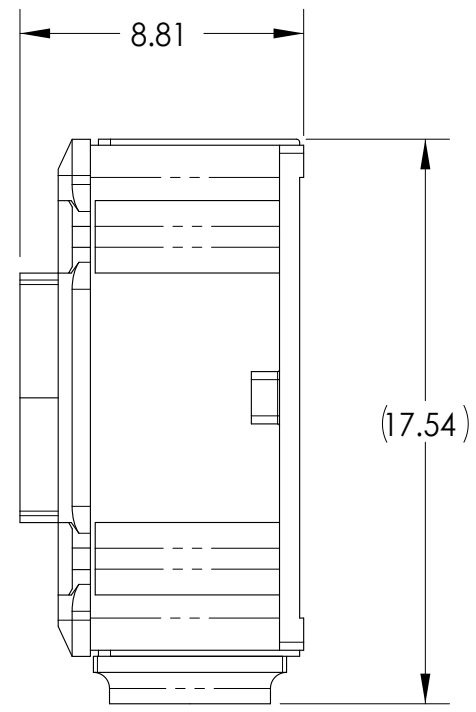
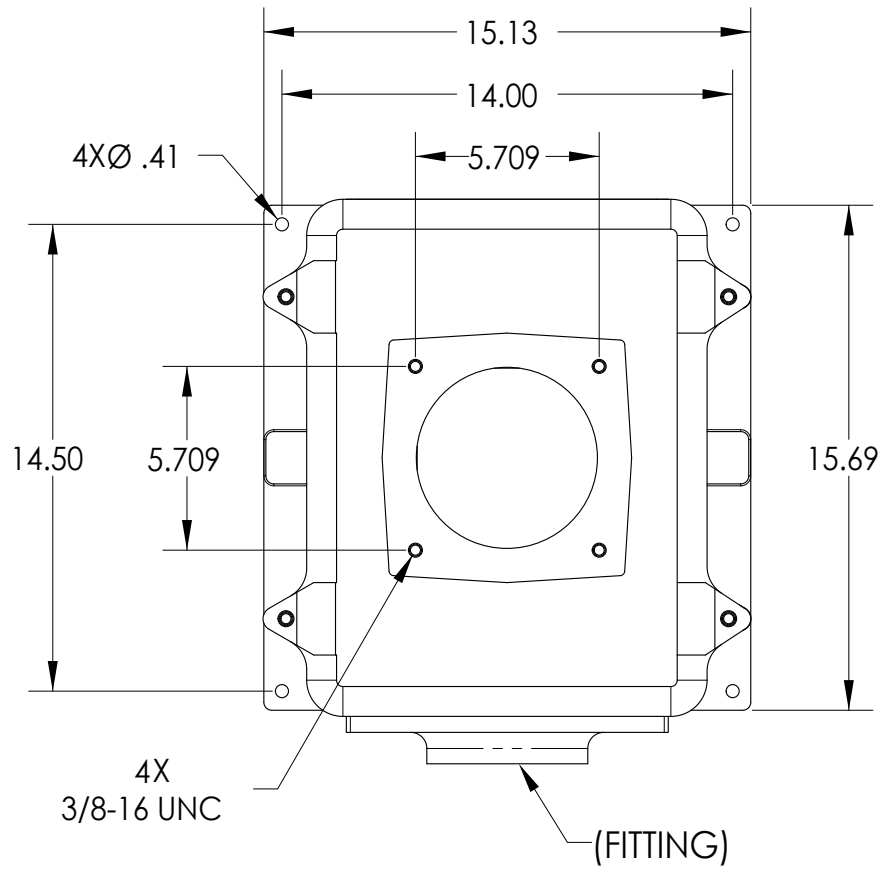


This drawing is the property of MELTRIC Corporation, Franklin (Milwaukee), Wisconsin, USA. Any unauthorized copying of this drawing by any means, or disclosure of its contents to any person not authorized by MELTRIC Corporation or its agents to receive it, is strictly prohibited.



PART NUMBER	FITTING SIZE
MB40PFQ-20	2" NPT
MB40PFQ-25	2.5" NPT
MB40PFQ-30	3" NPT
MB40PFQ-35	3.5" NPT
MB40PFQ-40	4" NPT

APPROX WEIGHT = 45 LBS.

(ASSEMBLY INCLUDES A NEOPRENE GASKET)

TOLERANCES UNLESS OTHERWISE SPECIFIED MACHINED SURFACES $\sqrt[125]{\text{MAX}}$ GROUND SURFACES $\sqrt[32]{\text{MAX}}$ ANGLE TOLERANCE $\pm 1^\circ$ REMOVE BURRS & SHARP EDGES TO .015 MAX. DIMENSIONS SHOWN IN OVALS ARE INSPECTION DIMENSIONS.		ENGLISH $0.X \pm 0.05$ $0.XX \pm 0.01$ $0.XXX \pm 0.005$		 A COMPANY OF MARECHAL ELECTRIC	
DRAWN	APPROVED	DATE:		DRAWING TITLE: PFQ300 METAL JUNCTION BOX	
SHEET: 1 OF 1		SCALE NTS	MATERIAL: PAINTED METAL		
PART NUMBER MB40PFQ-xx			REVISION		