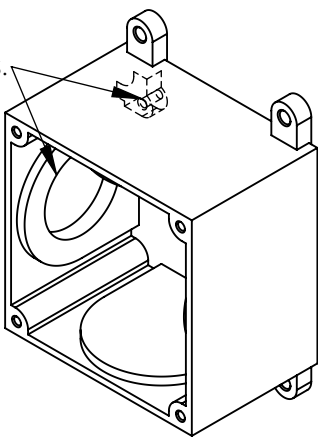
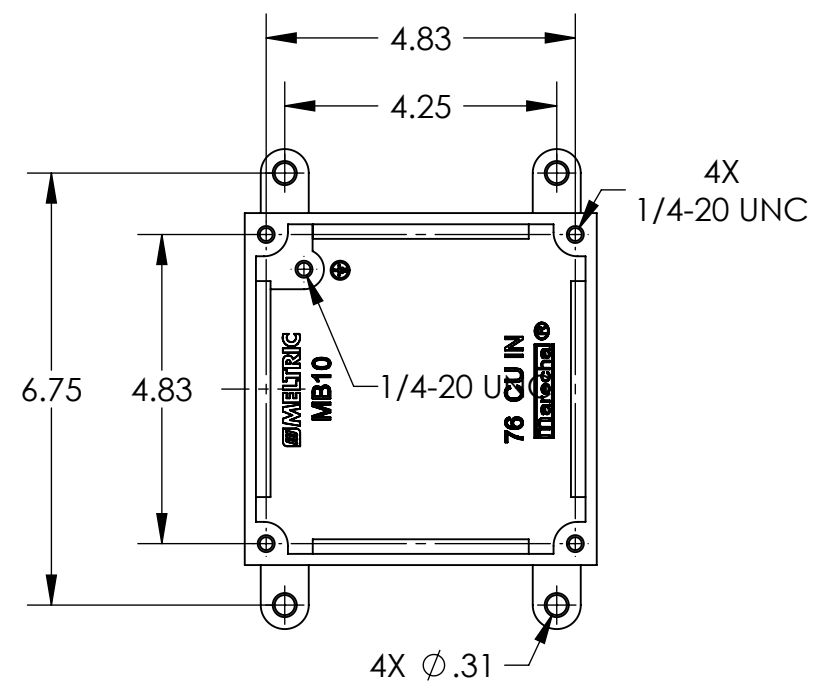
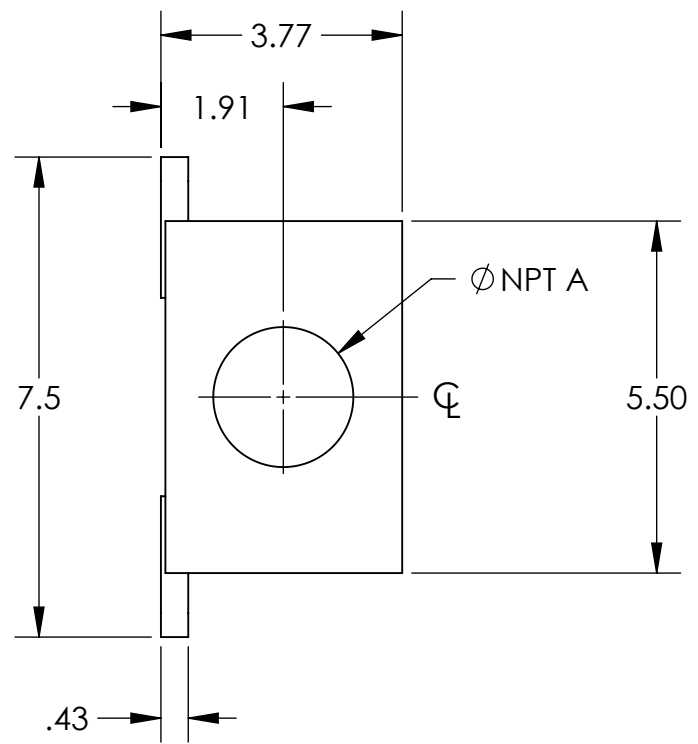
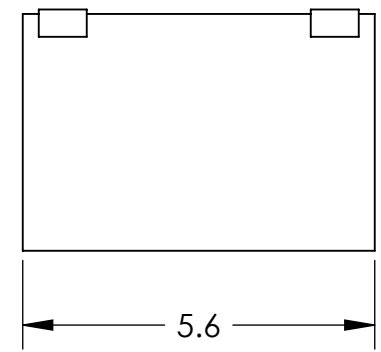


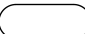
This drawing is the property of MELTRIC Corporation, Franklin (Milwaukee), Wisconsin, USA. Any unauthorized copying of this drawing by any means, ENG/RD/06 REV: 20 ISSUED DATE: 1/15/11 or disclosure of its contents to any person not authorized by MELTRIC Corporation or its agents to receive it, is strictly prohibited.


NPT GOES ON SIDE NEAREST GROUND BOSS.



PART NUMBER	NPT SIZE "A"
7T5F0N12	1 1/4" NPT
7T5F0N15	1 1/2" NPT
7T5F0N20	2" NPT
7T5F0N25	2 1/2" NPT



TOLERANCES UNLESS OTHERWISE SPECIFIED	
MACHINED SURFACES #error: broken link	ENGLISH 0.X ±0.05 0.XX ±0.01 0.XXX ±0.005
GROUND SURFACES #error: broken link	
ANGLE TOLERANCE ±1°	
REMOVE BURRS & SHARP EDGES TO .015 MAX.	
 DIMENSIONS SHOWN IN OVALS ARE INSPECTION DIMENSIONS.	

 A COMPANY OF MARÉCHAL ÉLECTRIC		DRAWING TITLE:	
		METAL JUNCTION BOX	
DATE:	SCALE	MATERIAL:	
	NTS	PAINTED METAL	
SHEET:	PART NUMBER		REVISION
1 OF 1	7T5F0Nxx		