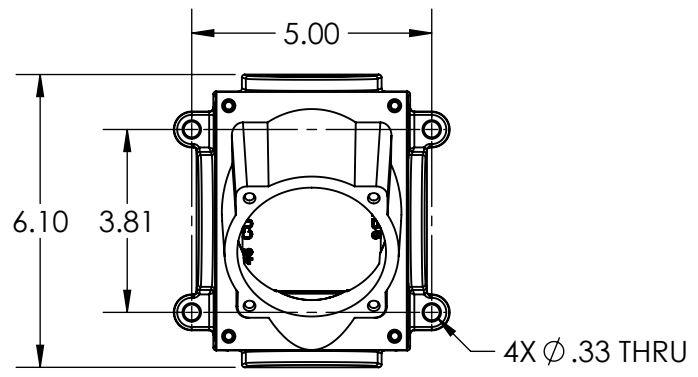
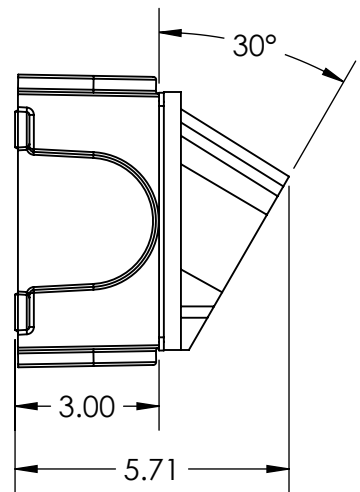
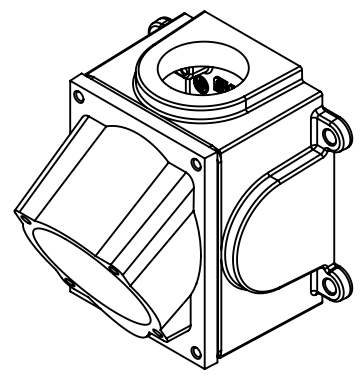
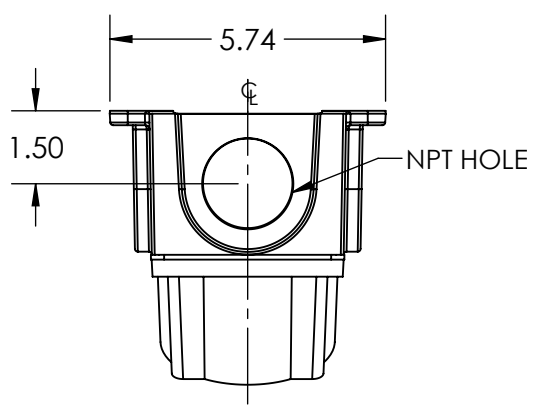
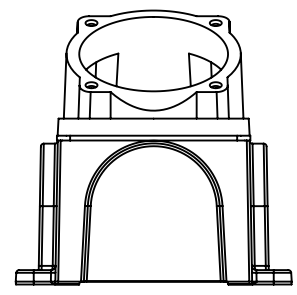


This drawing is the property of MELTRIC Corporation, Franklin (Milwaukee) Wisconsin, USA. Any unauthorized copying of this drawing by any means, ENGR/D/06 REV: 21 ISSUED DATE: 10/7/16 or disclosure of its contents to any person not authorized by MELTRIC Corporation or its agents to receive it, is strictly prohibited.

G F E D C B A



PART NUMBER	NPT SIZE
7K4CN10	1" NPT
7K4CN12	1-1/4" NPT
7K4CN15	1-1/2" NPT
7K4CN20	2" NPT



TOLERANCES UNLESS OTHERWISE SPECIFIED		 A COMPANY OF MARÉCHAL ELECTRIC			
MACHINED SURFACES $\sqrt[125]{\text{MAX}}$	ENGLISH				
GROUND SURFACES $\sqrt[32]{\text{MAX}}$	0.X ±0.05	DRAWN	APPROVED	DRAWING TITLE:	
ANGLE TOLERANCE ±1°	0.XX ±0.01	DATE:		SIZE 4 METAL BOX/METAL 30° ANGLE COMBO	
REMOVE BURRS & SHARP EDGES TO .015 MAX.	0.XXX ±0.005	SCALE	MATERIAL:		
DIMENSIONS SHOWN IN OVALS ARE INSPECTION DIMENSIONS.		NTS	BLACK PAINTED METAL		
		SHEET:	PART NUMBER		REVISION
		1 OF 1	7K4C3Nxx		