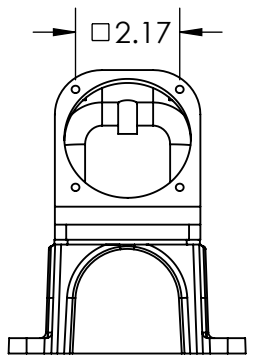
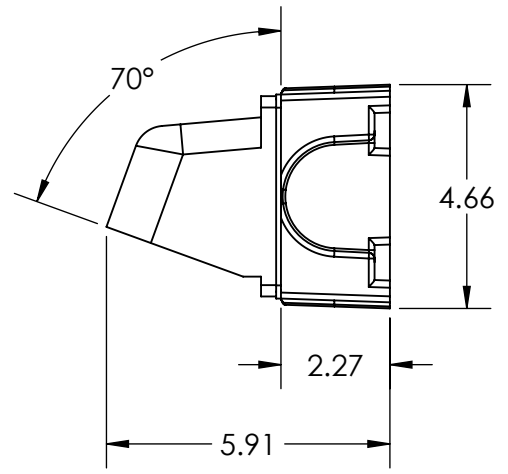
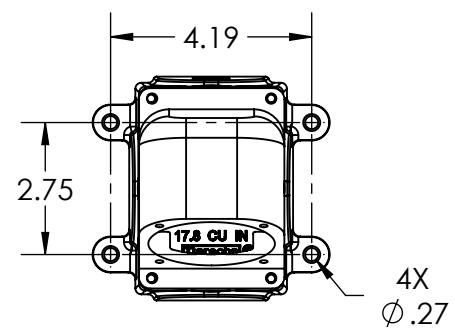
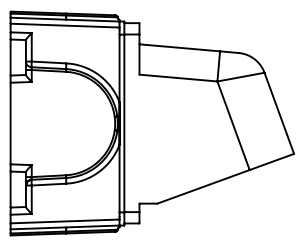
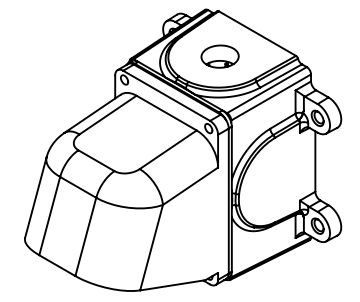
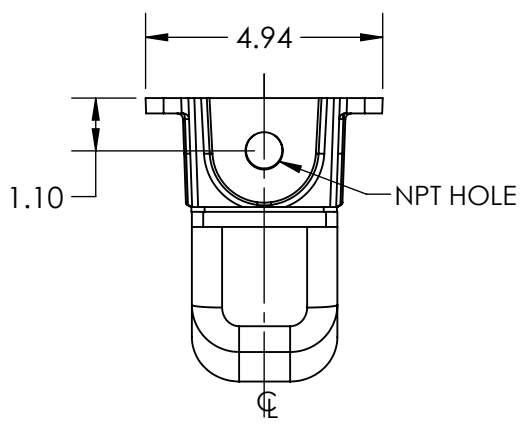


This drawing is the property of MELTRIC Corporation, Franklin (Milwaukee), Wisconsin, USA. Any unauthorized copying of this drawing by any means, ENG/RD/06 REV: 21 ISSUED DATE: 10/7/16 or disclosure of its contents to any person not authorized by MELTRIC Corporation or its agents to receive it, is strictly prohibited.



PART NUMBER	NPT SIZE
7K3C7N05	1/2" NPT
7K3C7N07	3/4" NPT
7K3C7N10	1" NPT
7K3C7N12	1-1/4" NPT
7K3C7N15	1-1/2" NPT

TOLERANCES UNLESS OTHERWISE SPECIFIED

MACHINED SURFACES  $\sqrt[125]{\text{MAX}}$

GROUND SURFACES  $\sqrt[32]{\text{MAX}}$

ANGLE TOLERANCE  $\pm 1^\circ$

REMOVE BURRS & SHARP EDGES TO .015 MAX.

DIMENSIONS SHOWN IN OVALS ARE INSPECTION DIMENSIONS.

**ENGLISH**

0.X  $\pm 0.05$

0.XX  $\pm 0.01$

0.XXX  $\pm 0.005$

**MELTRIC**  
A COMPANY OF MARÉCHAL ÉLECTRIC

DRAWN	APPROVED	DRAWING TITLE:	
DATE:		SCALE	MATERIAL:
SHEET:		NTS	BLACK PAINTED METAL
1 OF 1	7K3C7Nxx	PART NUMBER	REVISION