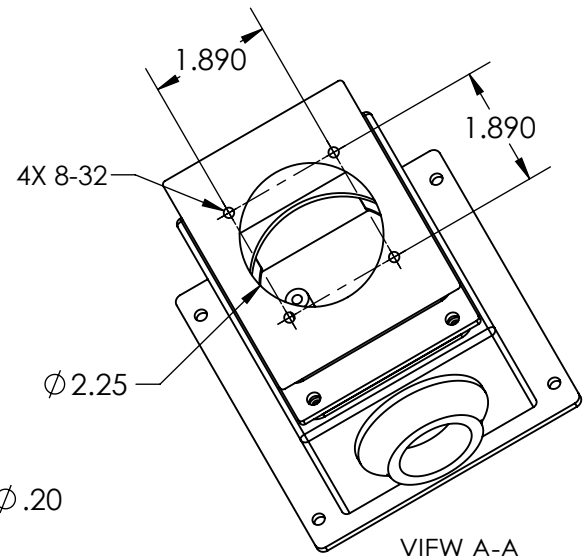
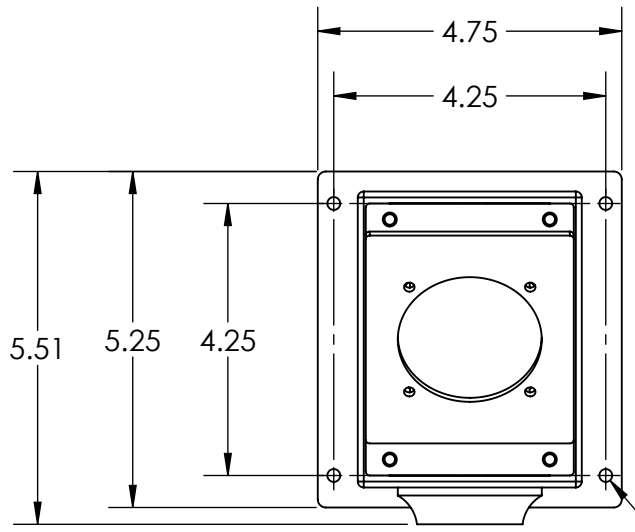
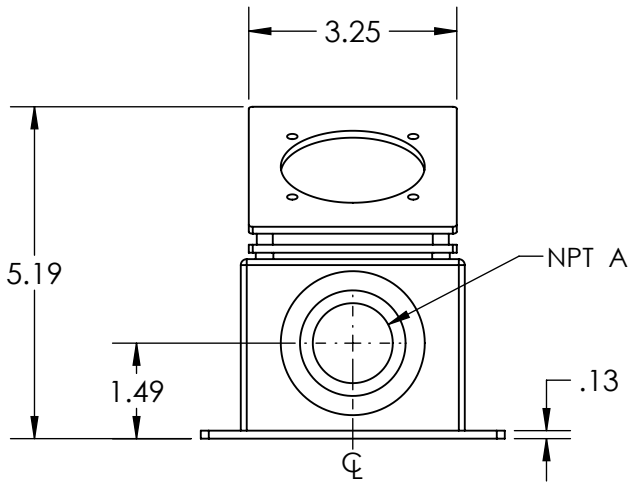
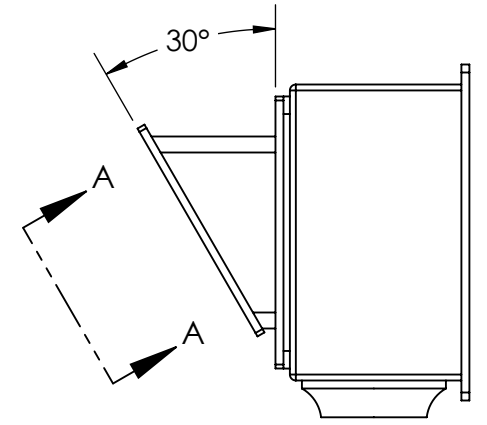


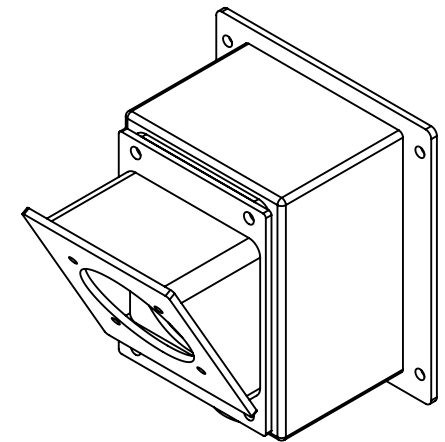
This drawing is the property of MELTRIC Corporation, Franklin (Milwaukee), Wisconsin, USA. Any unauthorized copying of this drawing by any means, ENG/RD/06 REV: 20 ISSUED DATE: 1/15/11 or disclosure of its contents to any person not authorized by MELTRIC Corporation or its agents to receive it, is strictly prohibited.



VIEW A-A
SCALE 1 : 3



PART NUMBER	NPT A
7X2C3N07	3/4" NPT
7X2C3N10	1" NPT



TOLERANCES UNLESS OTHERWISE SPECIFIED		MELTRIC A COMPANY OF MARECHAL ELECTRIC	
MACHINED SURFACES $\sqrt[125]{\text{MAX}}$ GROUND SURFACES $\sqrt[32]{\text{MAX}}$ ANGLE TOLERANCE $\pm 1^\circ$ REMOVE BURRS & SHARP EDGES TO .015 MAX. DIMENSIONS SHOWN IN OVALS ARE INSPECTION DIMENSIONS.	ENGLISH 0.X ± 0.05 0.XX ± 0.01 0.XXX ± 0.005	DRAWN: _____ DATE: _____ SHEET: 1 OF 1	APPROVED: _____ SCALE: NTS MATERIAL: STAINLESS STEEL PART NUMBER: 7X2C3Nxx REVISION: _____
		DRAWING TITLE: STAINLESS STEEL ANGLE/BOX COMBO	