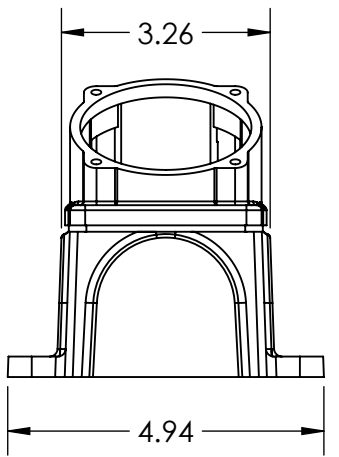
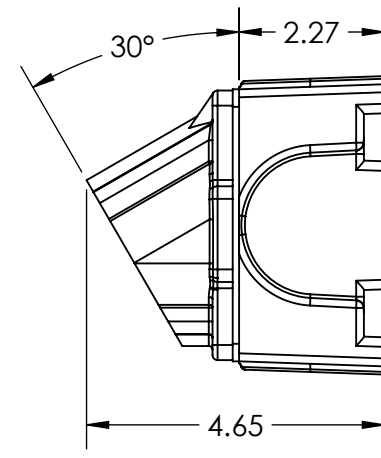
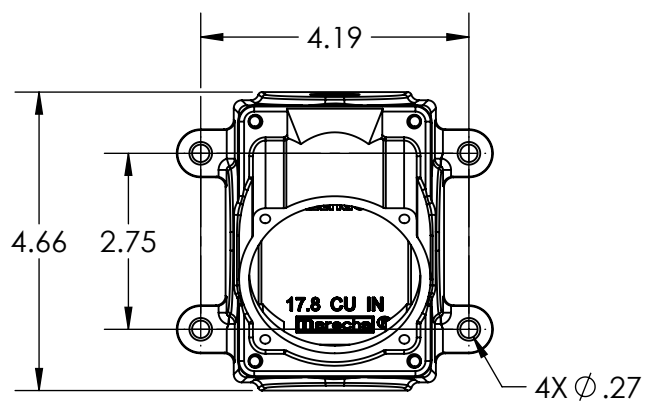
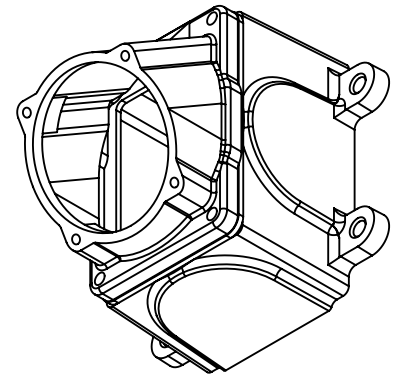
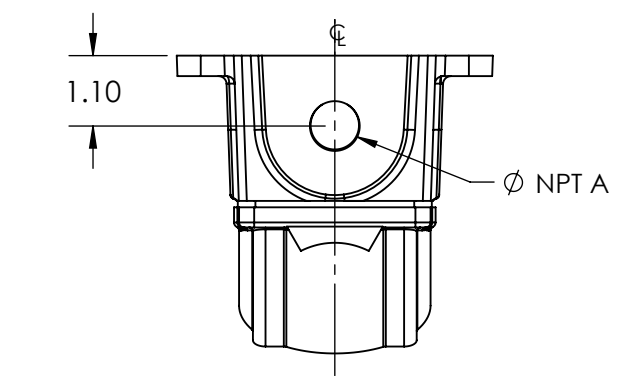


This drawing is the property of MELTRIC Corporation, Franklin (Milwaukee) Wisconsin, USA. Any unauthorized copying of this drawing by any means, ENG/RD/06 REV: 20 ISSUED DATE: 1/15/11 or disclosure of its contents to any person not authorized by MELTRIC Corporation or its agents to receive it, is strictly prohibited.



PART #	NTP "A"
753C3N05	1/2" NPT
753C3N07	3/4" NPT
753C3N10	1" NPT
753C3N12	1 1/4" NPT

TOLERANCES UNLESS OTHERWISE SPECIFIED

MACHINED SURFACES $\sqrt[125]{\text{MAX}}$ GROUND SURFACES $\sqrt[32]{\text{MAX}}$ ANGLE TOLERANCE $\pm 1^\circ$ REMOVE BURRS & SHARP EDGES TO .015 MAX.	ENGLISH 0.X ±0.05 0.XX ±0.01 0.XXX ±0.005
DIMENSIONS SHOWN IN OVALS ARE INSPECTION DIMENSIONS.	

MELTRIC
A COMPANY OF MARÉCHAL ÉLECTRIC

DRAWN	APPROVED	DRAWING TITLE:	
DATE:		SCALE	MATERIAL:
SHEET:		NTS	BLACK METAL BOX, BLACK POLY ANGLE
1 OF 1	PART NUMBER		REVISION
	753C3Nxx		