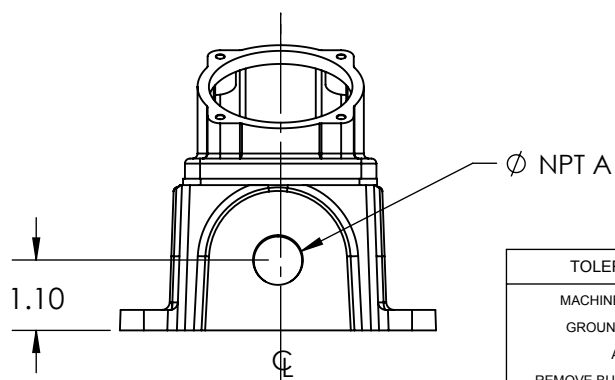
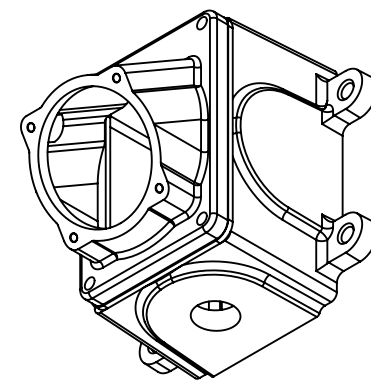
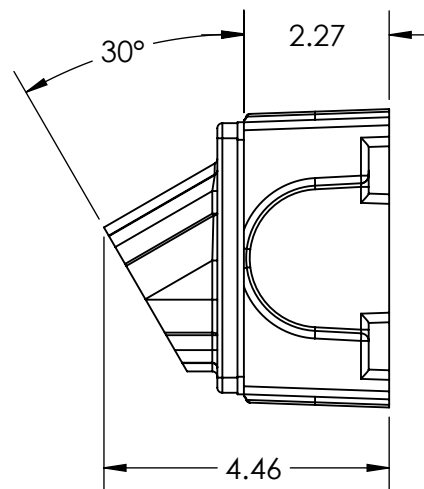
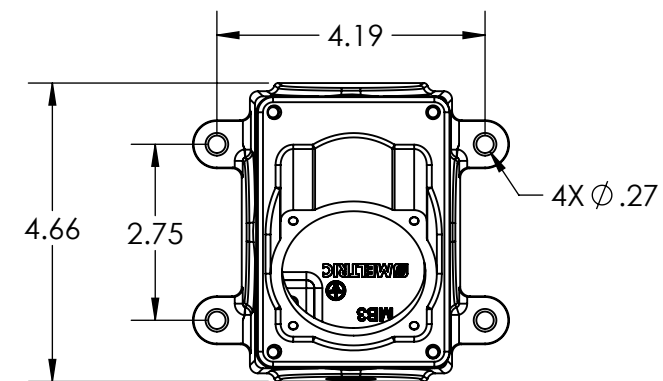
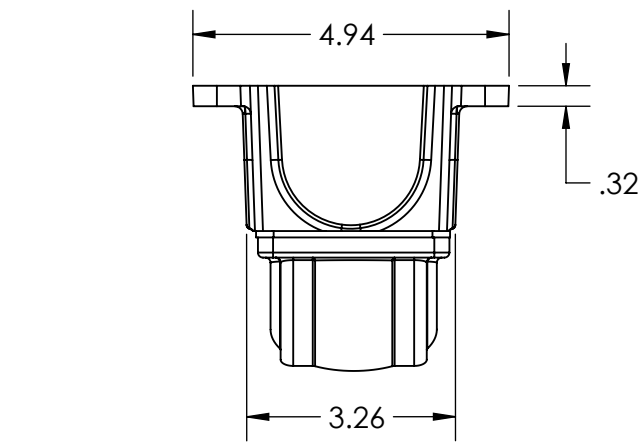


This drawing is the property of MELTRIC Corporation, Franklin (Milwaukee), Wisconsin, USA. Any unauthorized copying of this drawing by any means, ENG/RD/06 REV: 20 ISSUED DATE: 1/15/11 or disclosure of its contents to any person not authorized by MELTRIC Corporation or its agents to receive it, is strictly prohibited.



PART NUMBER	NPT "A"
712C3N05	1/2" NPT
712C3N07	3/4" NPT
712C3N10	1" NPT
712C3N12	1 1/4" NPT

TOLERANCES UNLESS OTHERWISE SPECIFIED

MACHINED SURFACES #error: broken link
GROUND SURFACES #error: broken link
ANGLE TOLERANCE ±1°
REMOVE BURRS & SHARP EDGES TO .015 MAX.

ENGLISH

0.X ±0.05
0.XX ±0.01
0.XXX ±0.005

DIMENSIONS SHOWN IN OVALS ARE INSPECTION DIMENSIONS.

MELTRIC
A COMPANY OF MARÉCHAL ÉLECTRIC

DRAWN: _____ APPROVED: _____ DRAWING TITLE: JUNCTION BOX/ANGLE COMBO

DATE: _____ SCALE: NTS MATERIAL: PAINTED METAL AND BLUE POLY

SHEET: 1 OF 1 PART NUMBER: 712C3Nxx REVISION: _____