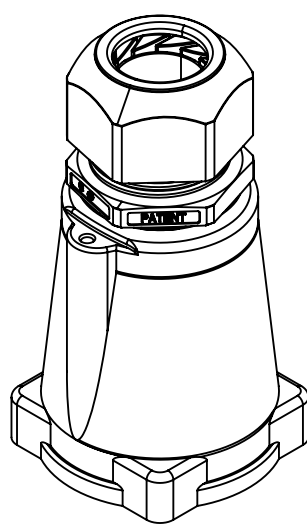
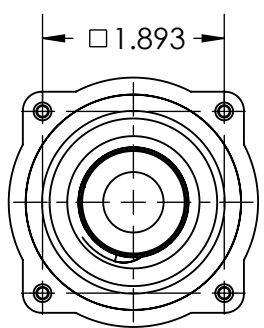
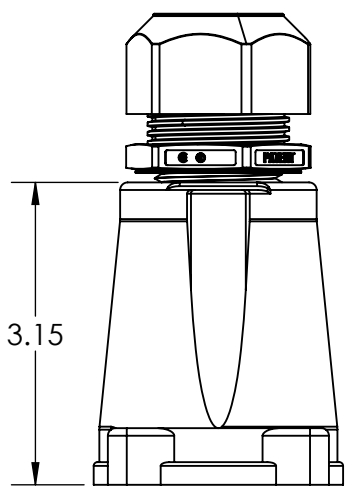
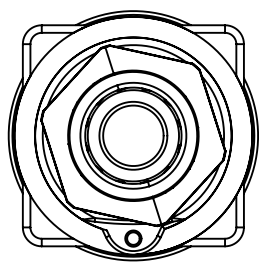
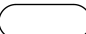



This drawing is the property of MELTRIC Corporation, Franklin (Milwaukee) Wisconsin, USA. Any unauthorized copying of this drawing by any means, ENGR/D/06 REV: 21 ISSUED DATE: 10/7/16 or disclosure of its contents to any person not authorized by MELTRIC Corporation or its agents to receive it, is strictly prohibited.



PART NUMBER	CABLE RANGE
712POBP6	.350" TO .520"
712P0CP5	.520" TO .680"
712P0DP4	.680" TO .980"
712P0EP4	.980" TO 1.260"

TOLERANCES UNLESS OTHERWISE SPECIFIED	
MACHINED SURFACES $\sqrt[125]{\text{MAX}}$	ENGLISH 0.X ±0.05 0.XX ±0.01 0.XXX ±0.005
GROUND SURFACES $\sqrt[32]{\text{MAX}}$	
ANGLE TOLERANCE ±1°	
REMOVE BURRS & SHARP EDGES TO .015 MAX.	
 DIMENSIONS SHOWN IN OVALS ARE INSPECTION DIMENSIONS.	

 A COMPANY OF MARÉCHAL ELECTRIC			
DRAWN	APPROVED	DRAWING TITLE:	
		POLY HANDLE WITH CORD GRIP	
DATE:	SCALE	MATERIAL:	
	NTS	BLUE POLY	
SHEET:	PART NUMBER		REVISION
1 OF 1	712P0xPx		