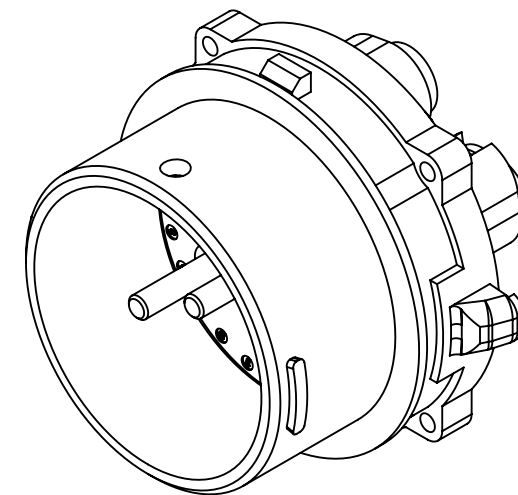
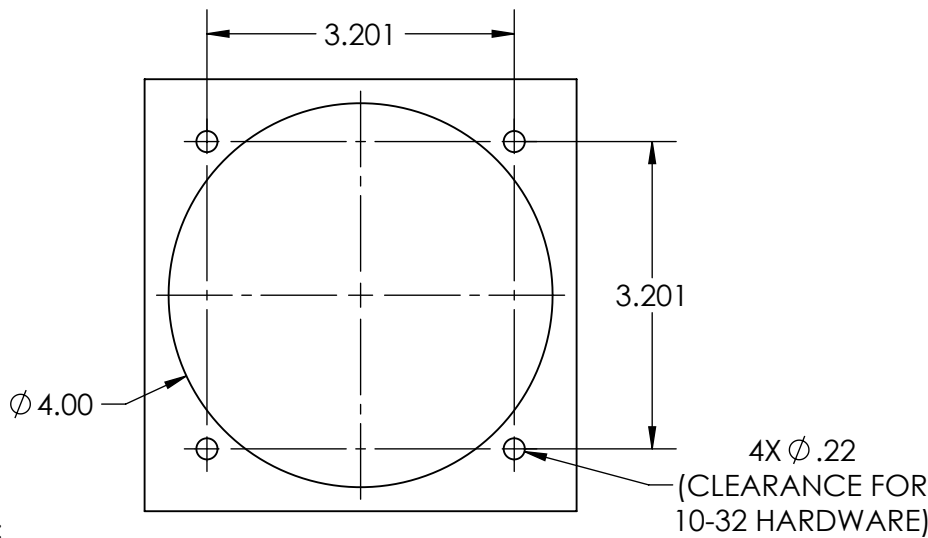
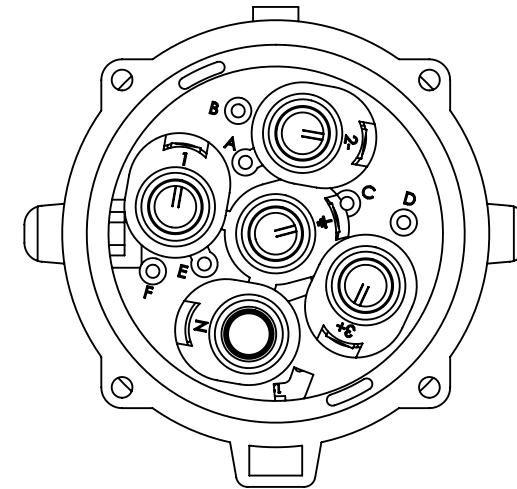
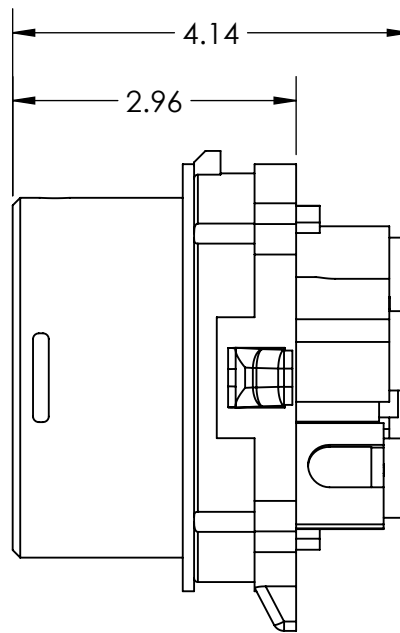
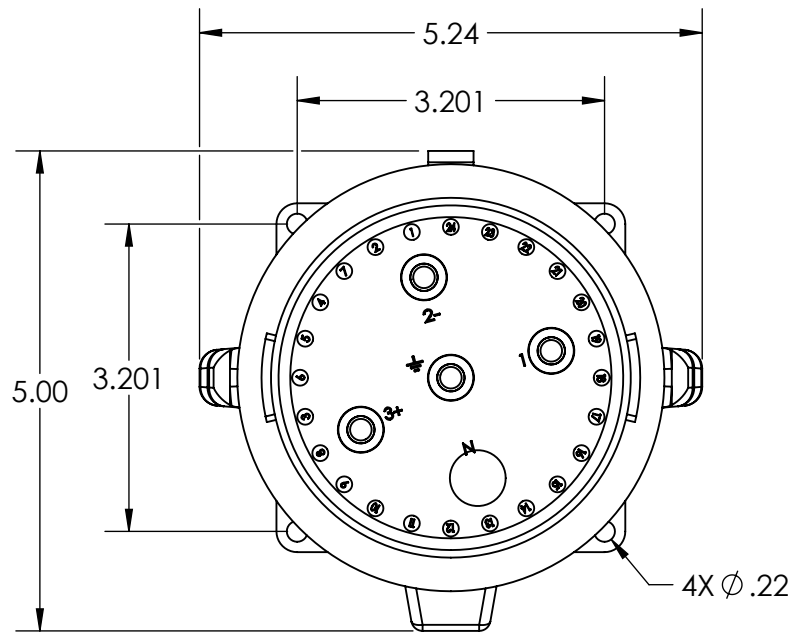
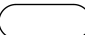


This drawing is the property of MELTRIC Corporation, Franklin (Milwaukee), Wisconsin, USA. Any unauthorized copying of this drawing by any means, ENG/RD/06 REV: 20 ISSUED DATE: 1/15/11 or disclosure of its contents to any person not authorized by MELTRIC Corporation or its agents to receive it, is strictly prohibited.



**HAZARDOUS RATINGS:**  
 CII Div2, Gr ABCD, T6  
 CII Zone 2, IIC

ENTRY HOLE PATTERN

TOLERANCES UNLESS OTHERWISE SPECIFIED		MELTRIC	
MACHINED SURFACES $\sqrt[125]{\text{MAX}}$	ENGLISH	A COMPANY OF MARÉCHAL ÉLECTRIC	
GROUND SURFACES $\sqrt[32]{\text{MAX}}$		DRAWN	APPROVED
ANGLE TOLERANCE $\pm 1^\circ$	0.X $\pm 0.05$ 0.XX $\pm 0.01$ 0.XXX $\pm 0.005$	DRAWING TITLE:	
REMOVE BURRS & SHARP EDGES TO .015 MAX.		DATE:	SCALE
 DIMENSIONS SHOWN IN OVALS ARE INSPECTION DIMENSIONS.	SHEET: 1 OF 1	NTS	METAL CASING
		PART NUMBER	REVISION
		66-98xxx-xxx-HAZ	

1  
2  
3  
4  
5  
6