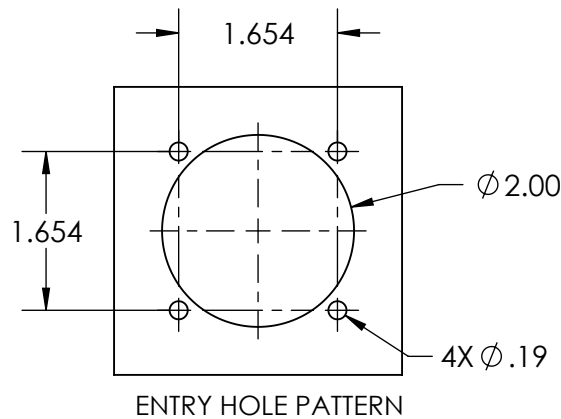
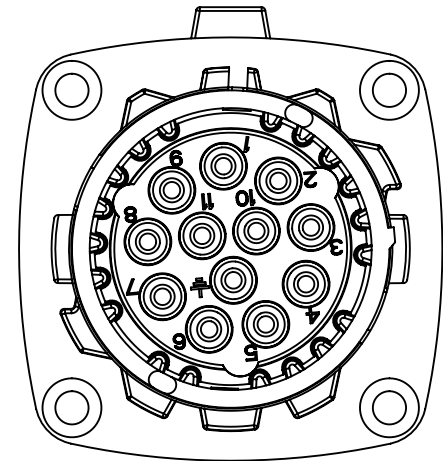
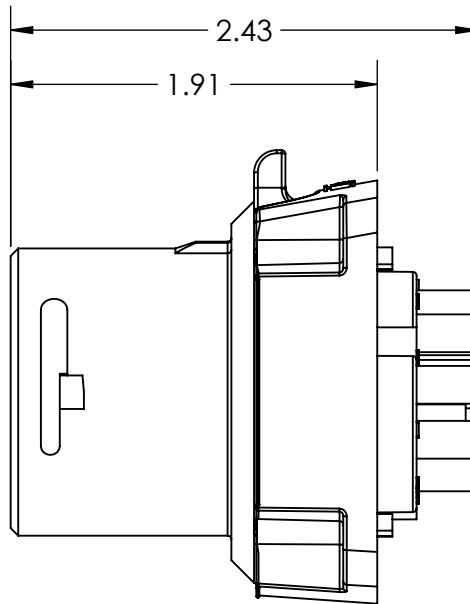
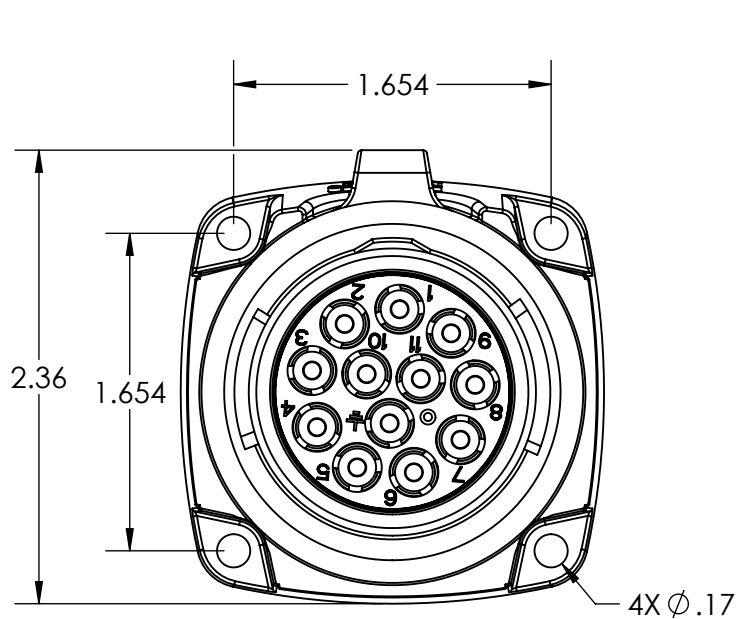
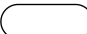


This drawing is the property of MELTRIC Corporation, Franklin (Milwaukee), Wisconsin, USA. Any unauthorized copying of this drawing by any means, ENGR/D/06 REV: 21 ISSUED DATE: 10/7/16 or disclosure of its contents to any person not authorized by MELTRIC Corporation or its agents to receive it, is strictly prohibited.



TOLERANCES UNLESS OTHERWISE SPECIFIED		MELTRIC		DRAWING TITLE:	
MACHINED SURFACES $\sqrt[125]{\text{MAX}}$	ENGLISH	DRAWN	APPROVED	DSN12c INLET	
GROUND SURFACES $\sqrt[32]{\text{MAX}}$		DATE:	SCALE	MATERIAL:	
ANGLE TOLERANCE $\pm 1^\circ$	0.X ± 0.05 0.XX ± 0.01 0.XXX ± 0.005	SHEET:	NTS	BLUE POLY CASING	
REMOVE BURRS & SHARP EDGES TO .015 MAX.		1 OF 1	63-A8001	PART NUMBER	REVISION
 DIMENSIONS SHOWN IN OVALS ARE INSPECTION DIMENSIONS.					