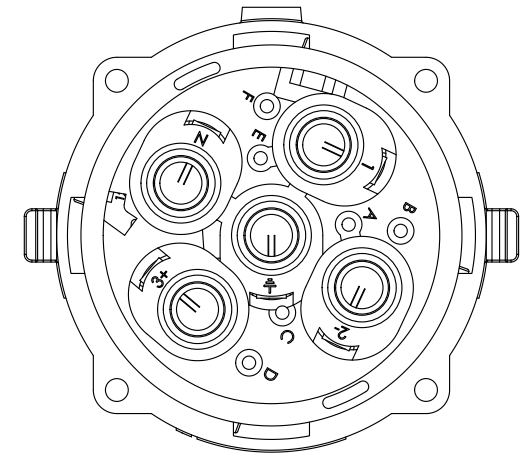
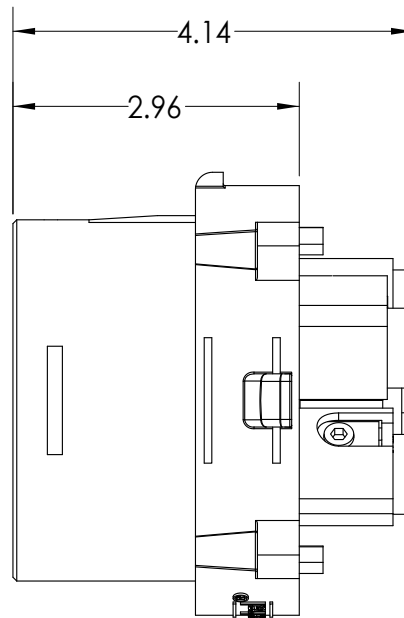
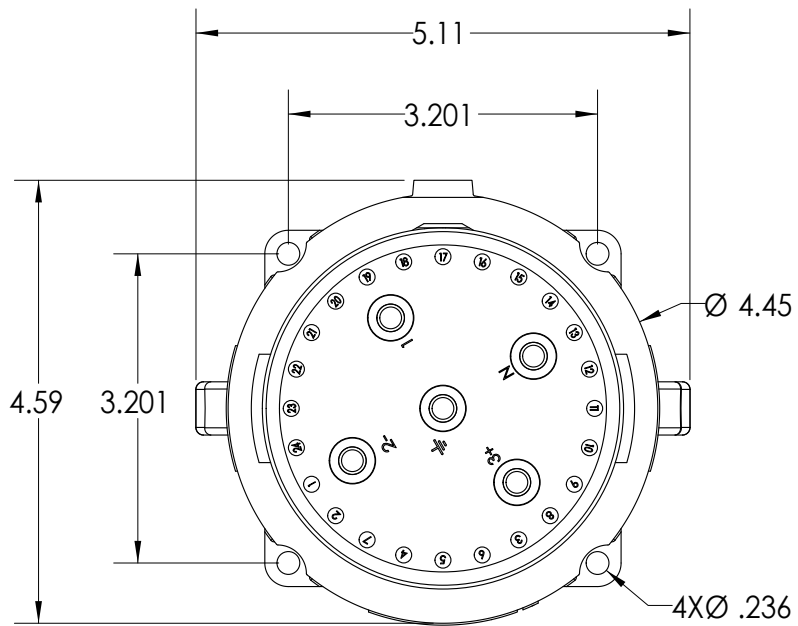
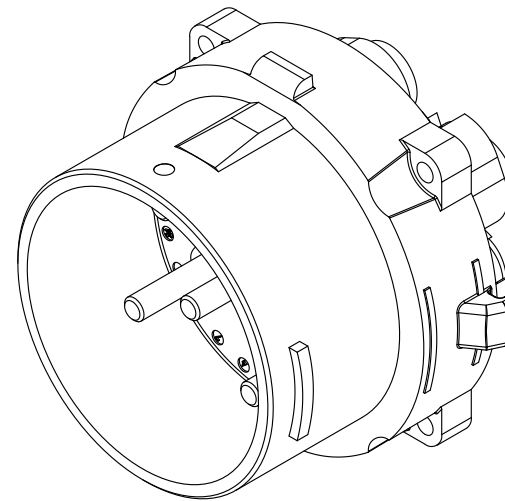
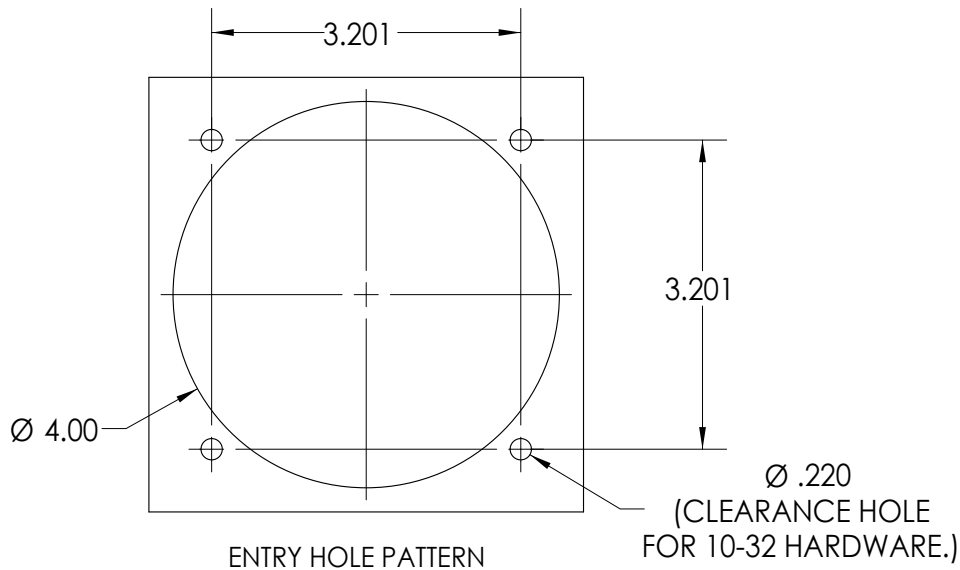


This drawing is the property of MELTRIC Corporation, Franklin (Milwaukee), Wisconsin, USA. Any unauthorized copying of this drawing by any means, or disclosure of its contents to any person not authorized by MELTRIC Corporation or its agents to receive it, is strictly prohibited.



(REAR VIEW)



TOLERANCES UNLESS OTHERWISE SPECIFIED		 A COMPANY OF MARECHAL ELECTRIC		
MACHINED SURFACES $\sqrt[125]{\text{MAX}}$	ENGLISH			
GROUND SURFACES $\sqrt[32]{\text{MAX}}$	0.X ±0.05	DRAWN	APPROVED	DRAWING TITLE:
ANGLE TOLERANCE ±1°	0.XX ±0.01	DATE:		DSN150 POLY INLET
REMOVE BURRS & SHARP EDGES TO .015 MAX.	0.XXX ±0.005	SCALE		MATERIAL:
DIMENSIONS SHOWN IN OVALS ARE INSPECTION DIMENSIONS.		NTS		BLUE POLY CASING
		SHEET:		PART NUMBER
		1 OF 1		63-98xxx
				REVISION