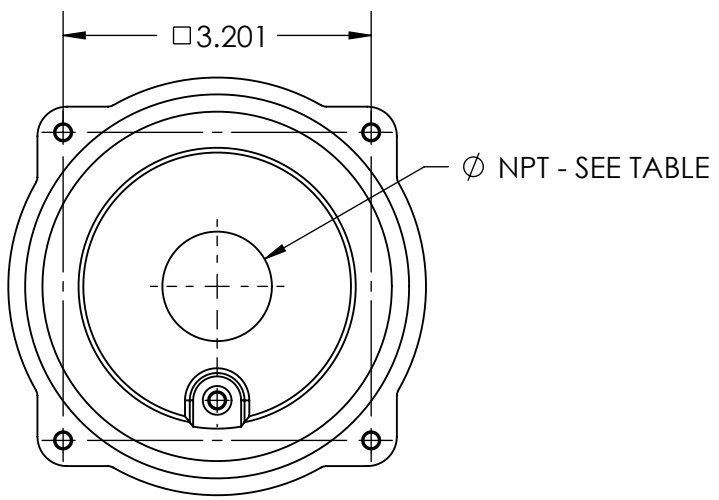
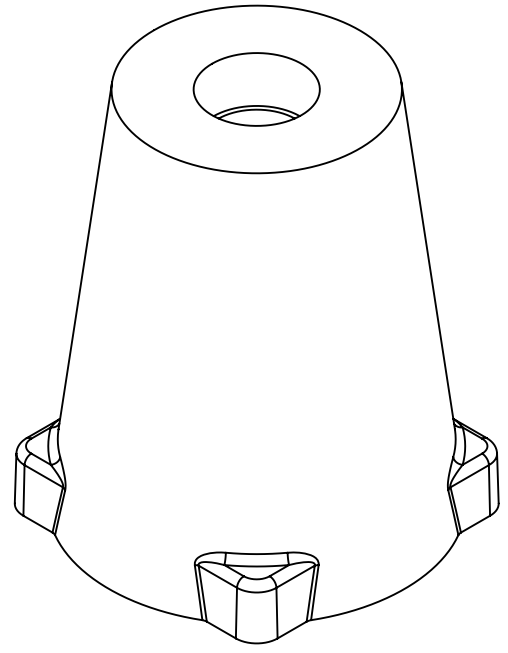
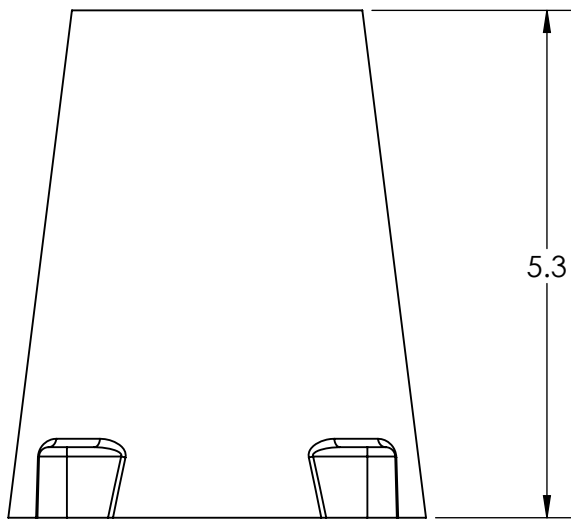
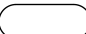



This drawing is the property of MELTRIC Corporation, Franklin (Milwaukee), Wisconsin, USA. Any unauthorized copying of this drawing by any means, or disclosure of its contents to any person not authorized by MELTRIC Corporation or its agents to receive it, is strictly prohibited. ENG/RD/06 REV: 20 ISSUED DATE: 1/15/11

G      F      E      D      C      B      A



PART NUMBER	THREAD SIZE
5K5PON07	3/4" NPT
5K5PON10	1" NPT
5K5PON12	1-1/4" NPT
5K5PON15	1-1/2" NPT
5K5PON20	2" NPT

TOLERANCES UNLESS OTHERWISE SPECIFIED	
MACHINED SURFACES $\sqrt[125]{\text{MAX}}$	<b>ENGLISH</b> <b>0.X ±0.05</b> <b>0.XX ±0.01</b> <b>0.XXX ±0.005</b>
GROUND SURFACES $\sqrt[32]{\text{MAX}}$	
ANGLE TOLERANCE ±1°	
REMOVE BURRS & SHARP EDGES TO .015 MAX.	
 DIMENSIONS SHOWN IN OVALS ARE INSPECTION DIMENSIONS.	

		DRAWING TITLE:	
DRAWN	APPROVED	SIZE 5 BLACK METAL HANDLE	
DATE:		SCALE	MATERIAL:
		NTS	BLACK PAINTED METAL
SHEET:		PART NUMBER	
1 OF 1		5K5PONxx	
			REVISION