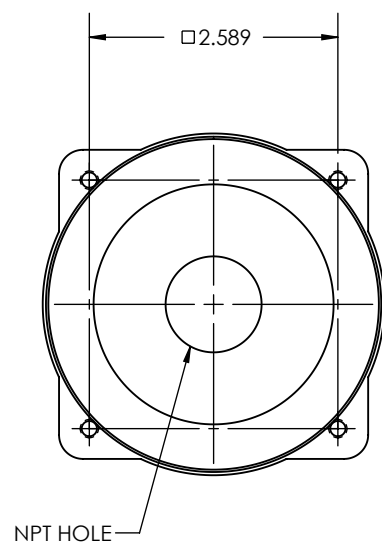
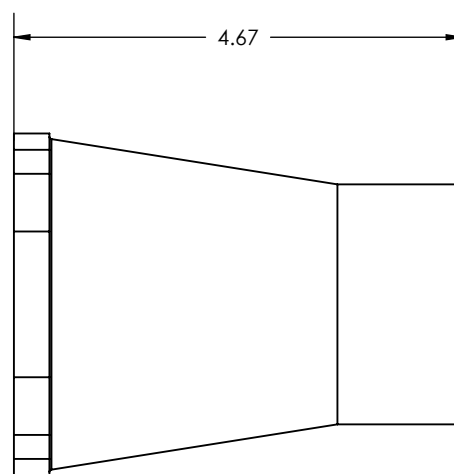
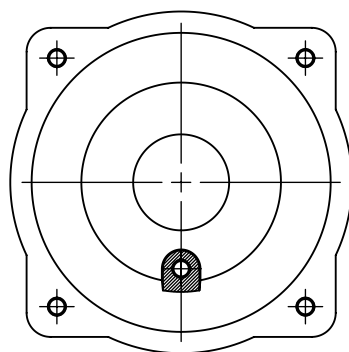


This drawing is the property of MELTRIC Corporation, Franklin (Milwaukee) Wisconsin, USA. Any unauthorized copying of this drawing by any means, ENGR/RD/06 REV: 20 ISSUED DATE: 1/15/11 or disclosure of its contents to any person not authorized by MELTRIC Corporation or its agents to receive it, is strictly prohibited.



PART NUMBER	NPT SIZE "A"
5K4PON05	1/2" NPT
5K4PON07	3/4" NPT
5K4PON10	1" NPT
5K4PON12	1 1/4" NPT
5K4PON15	1 1/2" NPT

TOLERANCES UNLESS OTHERWISE SPECIFIED		<b>MELTRIC</b> A COMPANY OF MARÉCHAL ÉLECTRIC	
<p>MACHINED SURFACES <math>\sqrt[125]{\text{MAX}}</math></p> <p>GROUND SURFACES <math>\sqrt[32]{\text{MAX}}</math></p> <p>ANGLE TOLERANCE <math>\pm 1^\circ</math></p> <p>REMOVE BURRS &amp; SHARP EDGES TO .015 MAX.</p> <p> DIMENSIONS SHOWN IN OVALS ARE INSPECTION DIMENSIONS.</p>	<p><b>ENGLISH</b></p> <p>0.X <math>\pm 0.05</math></p> <p>0.XX <math>\pm 0.01</math></p> <p>0.XXX <math>\pm 0.005</math></p>	<p>DRAWN: _____</p> <p>DATE: _____</p> <p>SHEET: 1 OF 1</p>	<p>APPROVED: _____</p> <p>DRAWING TITLE: <b>SIZE 4 BLACK METAL HANDLE</b></p> <p>SCALE: NTS</p> <p>MATERIAL: <b>BLACK PAINTED METAL</b></p> <p>PART NUMBER: 5K4PONxx</p> <p>REVISION: _____</p>