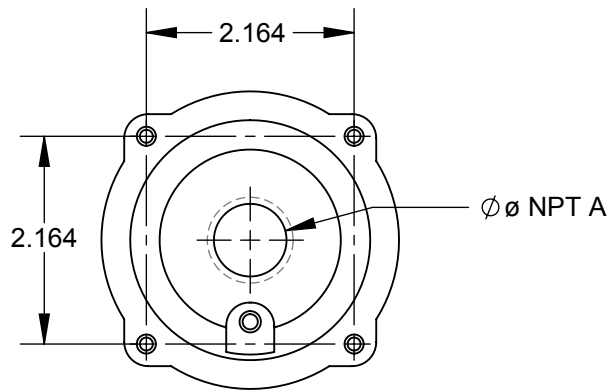
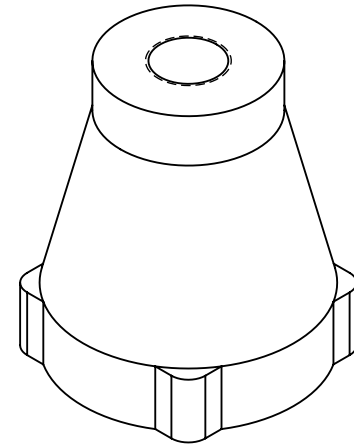
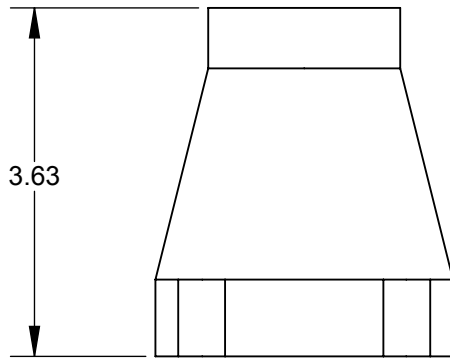



This drawing is the property of MELTRIC Corporation, Franklin (Milwaukee) Wisconsin, USA. Any unauthorized copying of this drawing by any means, or disclosure of its contents to any person not authorized by MELTRIC Corporation or its agents to receive it, is strictly prohibited. ENG/RD/06 REV: 20 ISSUED DATE: 1/15/11



PART NUMBER	NPT "A"
5K3P0N05	1/2" NPT
5K3P0N07	3/4" NPT
5K3P0N10	1" NPT
5K3P0N12	1-1/4" NPT

TOLERANCES UNLESS OTHERWISE SPECIFIED		 A COMPANY OF MARÉCHAL ÉLECTRIC		
MACHINED SURFACES $\sqrt[125]{\text{MAX}}$ GROUND SURFACES $\sqrt[32]{\text{MAX}}$ ANGLE TOLERANCE $\pm 1^\circ$ REMOVE BURRS & SHARP EDGES TO .015 MAX.	<b>ENGLISH</b> 0.X $\pm 0.05$ 0.XX $\pm 0.01$ 0.XXX $\pm 0.005$			DRAWING TITLE: <b>BLACK METAL THREADED HANDLE</b>
		DATE:	SCALE: NTS	MATERIAL: BLACK PAINTED METAL
		SHEET: 1 OF 1	PART NUMBER: 5K3P0Nxx	REVISION: