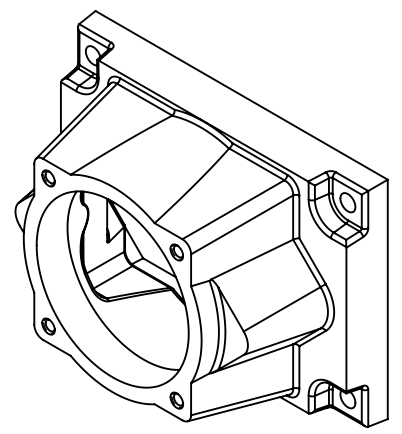


This drawing is the property of MELTRIC Corporation, Franklin (Milwaukee), Wisconsin, USA. Any unauthorized copying of this drawing by any means, ENG/RD/06 REV: 20 ISSUED DATE: 1/15/11 or disclosure of its contents to any person not authorized by MELTRIC Corporation or its agents to receive it, is strictly prohibited.

G F E D C B A



1

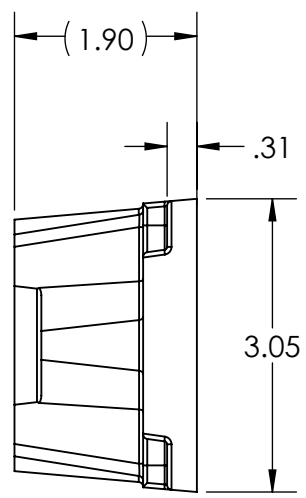
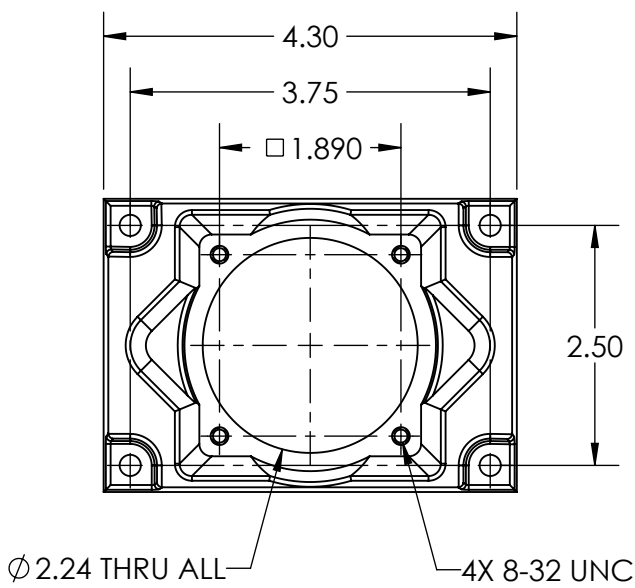
2

3

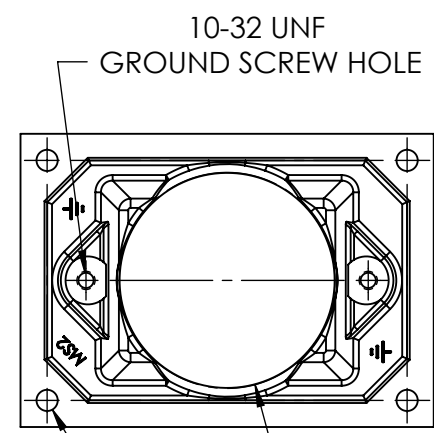
4

5

6



Ø 2.24 THRU ALL



4X Ø .22 THRU ALL

Ø 2.25
PANEL KNOCKOUT HOLE

TOLERANCES UNLESS OTHERWISE SPECIFIED		 A COMPANY OF MARÉCHAL ÉLECTRIC		
MACHINED SURFACES $\sqrt[125]{\text{MAX}}$	ENGLISH			
GROUND SURFACES $\sqrt[32]{\text{MAX}}$	0.X ±0.05	DRAWN	APPROVED	DRAWING TITLE:
ANGLE TOLERANCE ±1°	0.XX ±0.01	DATE:	SCALE	SIZE 3 BLACK METAL STRAIGHT ADAPTER
REMOVE BURRS & SHARP EDGES TO .015 MAX.	0.XXX ±0.005	SHEET:	NTS	MATERIAL:
DIMENSIONS SHOWN IN OVALS ARE INSPECTION DIMENSIONS.		1 OF 1	5K2M0	BLACK PAINTED METAL
				PART NUMBER
				REVISION