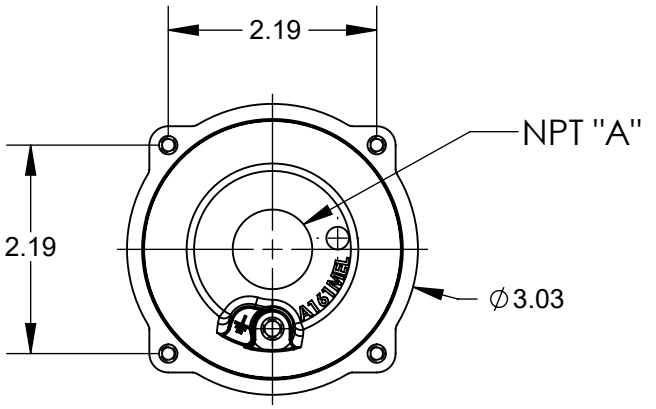
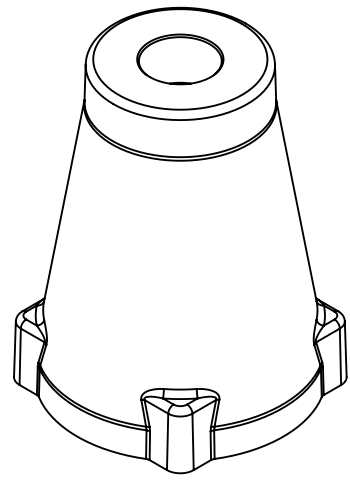
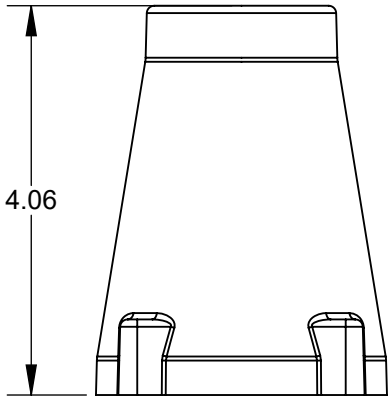
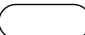


This drawing is the property of MELTRIC Corporation, Franklin (Milwaukee) Wisconsin, USA. Any unauthorized copying of this drawing by any means, ENGR/D/06 REV: 21 ISSUED DATE: 10/7/16 or disclosure of its contents to any person not authorized by MELTRIC Corporation or its agents to receive it, is strictly prohibited.



PART NUMBER	NPT "A"
593PON05	1/2" NPT
593PON07	3/4" NPT
593PON10	1" NPT
593PON12	1-1/4" NPT

TOLERANCES UNLESS OTHERWISE SPECIFIED

<p>MACHINED SURFACES $\sqrt{125}^{\text{MAX}}$</p> <p>GROUND SURFACES $\sqrt{32}^{\text{MAX}}$</p> <p>ANGLE TOLERANCE $\pm 1^\circ$</p> <p>REMOVE BURRS & SHARP EDGES TO .015 MAX.</p> <p> DIMENSIONS SHOWN IN OVALS ARE INSPECTION DIMENSIONS.</p>	<p>ENGLISH</p> <p>0.X ± 0.05</p> <p>0.XX ± 0.01</p> <p>0.XXX ± 0.005</p>
---	--

MELTRIC
A COMPANY OF MARÉCHAL ELECTRIC

DRAWN	APPROVED	DRAWING TITLE:	
		SIZE 3 METAL HANDLE	
DATE:	SCALE	MATERIAL:	
	NTS	PAINTED METAL	
SHEET:	PART NUMBER		REVISION
1 OF 1	593PONxx		