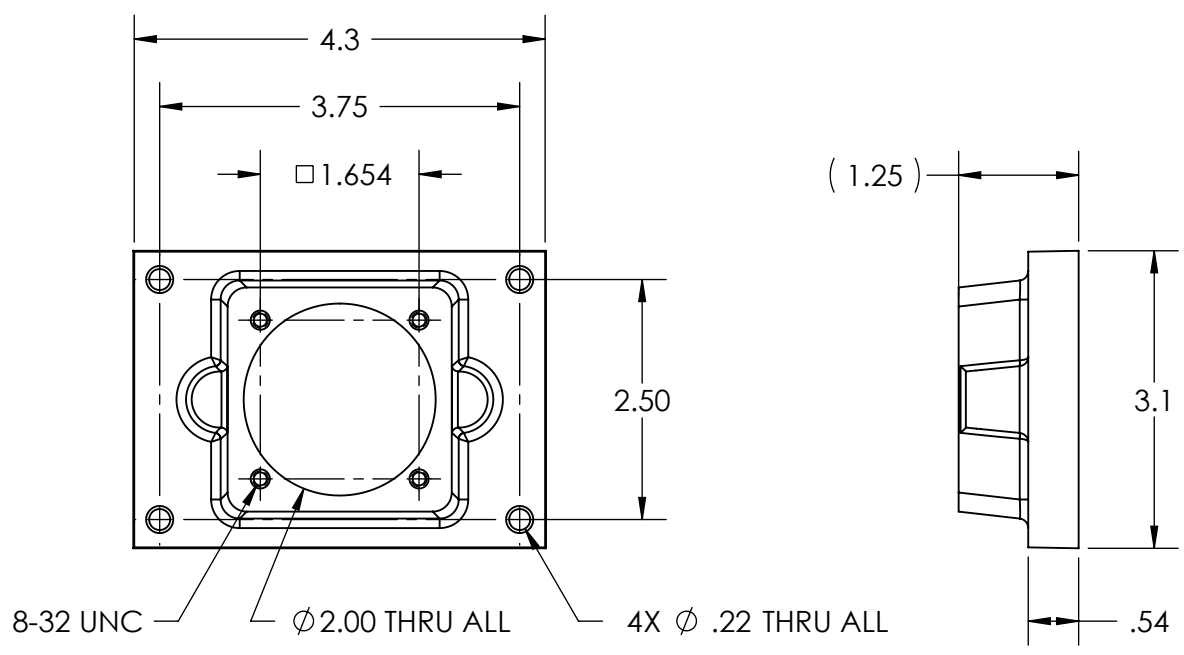
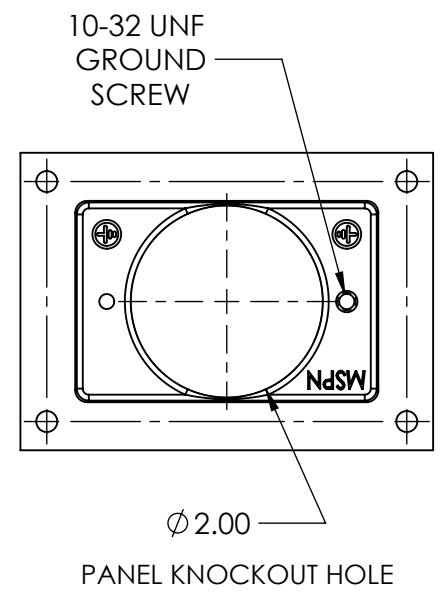
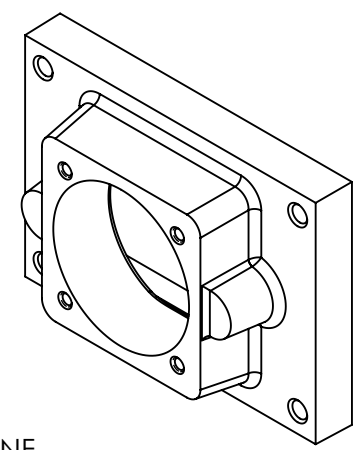


This drawing is the property of MELTRIC Corporation, Franklin (Milwaukee) Wisconsin, USA. Any unauthorized copying of this drawing by any means, ENGR/RD/06 REV: 20 ISSUED DATE: 1/15/11 or disclosure of its contents to any person not authorized by MELTRIC Corporation or its agents to receive it, is strictly prohibited.


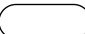


8-32 UNC $\phi 2.00$ THRU ALL 4X $\phi .22$ THRU ALL



10-32 UNF
GROUND
SCREW

$\phi 2.00$
PANEL KNOCKOUT HOLE

TOLERANCES UNLESS OTHERWISE SPECIFIED		 A COMPANY OF MARECHAL ELECTRIC	
MACHINED SURFACES #error: broken link	ENGLISH		
GROUND SURFACES #error: broken link	0.X ± 0.05 0.XX ± 0.01 0.XXX ± 0.005	DRAWING TITLE:	
ANGLE TOLERANCE $\pm 1^\circ$		DSN/PN STRAIGHT METAL ADAPTER	
REMOVE BURRS & SHARP EDGES TO .015 MAX.		DATE:	SCALE
 DIMENSIONS SHOWN IN OVALS ARE INSPECTION DIMENSIONS.		NTS	PAINTED METAL
		SHEET: 1 OF 1	PART NUMBER: 591M0