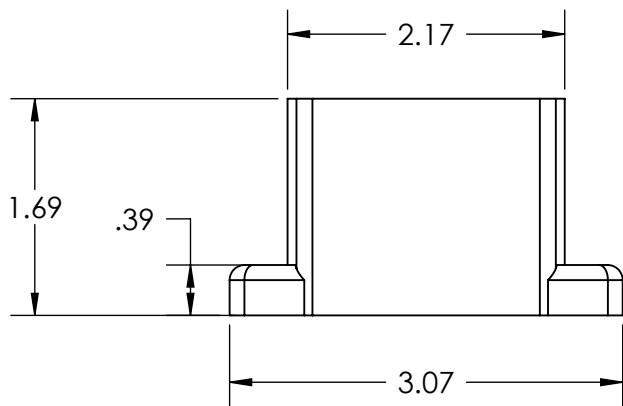
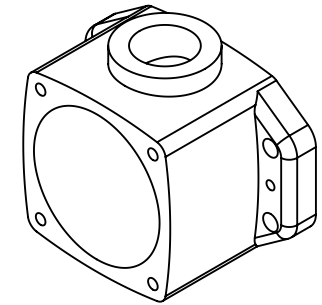
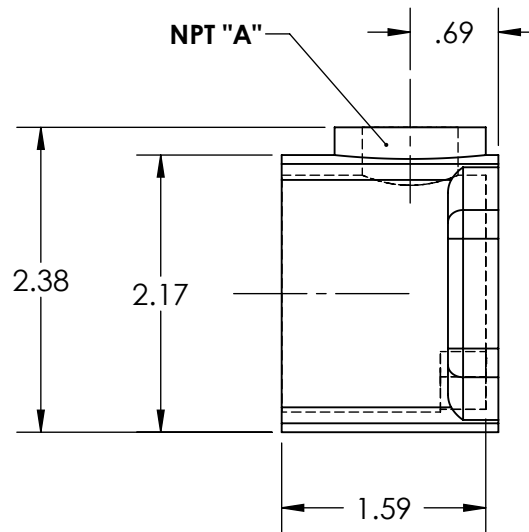
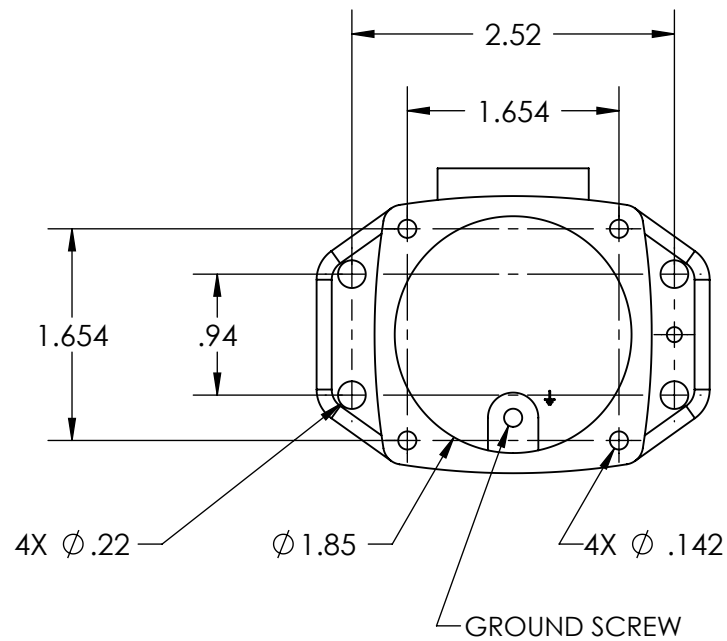

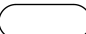


This drawing is the property of MELTRIC Corporation, Franklin (Milwaukee) Wisconsin, USA. Any unauthorized copying of this drawing by any means, ENG/RD/06 REV: 20 ISSUED DATE: 1/15/11 or disclosure of its contents to any person not authorized by MELTRIC Corporation or its agents to receive it, is strictly prohibited.



PART #	NPT "A"
571BON05185	1/2" NPT
571BON07185	3/4" NPT

TOLERANCES UNLESS OTHERWISE SPECIFIED		 A COMPANY OF MARÉCHAL ÉLECTRIC	
MACHINED SURFACES $\sqrt[125]{\text{MAX}}$	ENGLISH		
GROUND SURFACES $\sqrt[32]{\text{MAX}}$	0.X $\pm 0.05$	DRAWING TITLE:	
ANGLE TOLERANCE $\pm 1^\circ$	0.XX $\pm 0.01$	METAL STRAIGHT WALL BOX	
REMOVE BURRS & SHARP EDGES TO .015 MAX.	0.XXX $\pm 0.005$	DATE:	SCALE: NTS
 DIMENSIONS SHOWN IN OVALS ARE INSPECTION DIMENSIONS.		MATERIAL: BARE METAL	
		SHEET: 1 OF 1	PART NUMBER: 571BONxx185
			REVISION