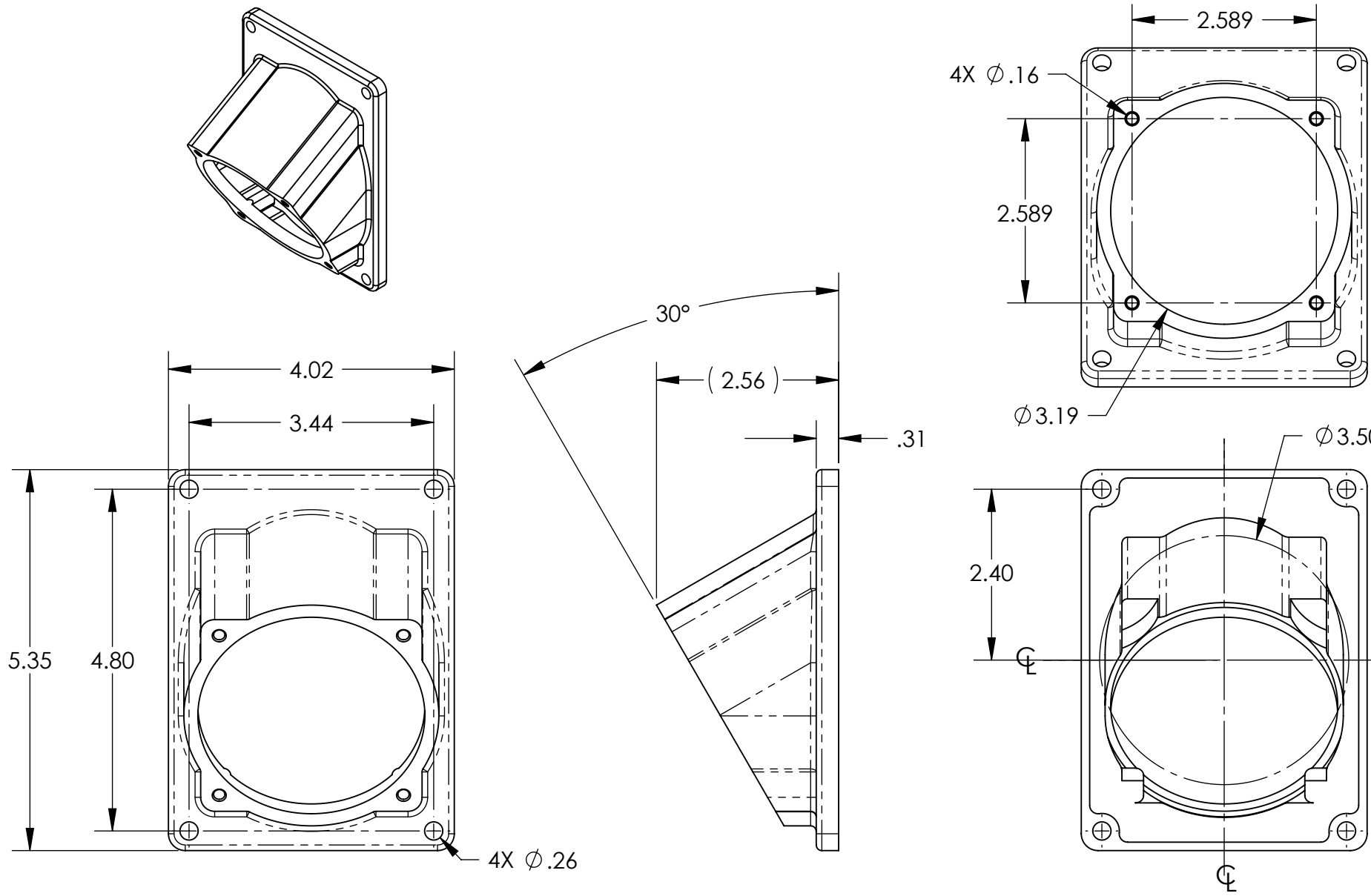

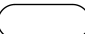


This drawing is the property of MELTRIC Corporation, Franklin (Milwaukee), Wisconsin, USA. Any unauthorized copying of this drawing by any means, ENG/RD/06 REV: 20 ISSUED DATE: 1/15/11 or disclosure of its contents to any person not authorized by MELTRIC Corporation or its agents to receive it, is strictly prohibited.



PANEL KNOCKOUT HOLE

TOLERANCES UNLESS OTHERWISE SPECIFIED		 A COMPANY OF MARÉCHAL ÉLECTRIC		DRAWING TITLE:	
MACHINED SURFACES $\sqrt[125]{\text{MAX}}$	ENGLISH			DRAWN	APPROVED
GROUND SURFACES $\sqrt[32]{\text{MAX}}$	0.X ±0.05 0.XX ±0.01 0.XXX ±0.005	DATE:		SCALE	MATERIAL:
ANGLE TOLERANCE ±1°		SHEET:		NTS	BLACK POLY
REMOVE BURRS & SHARP EDGES TO .015 MAX.		1 OF 1		PART NUMBER	
 DIMENSIONS SHOWN IN OVALS ARE INSPECTION DIMENSIONS.		554M3		REVISION	