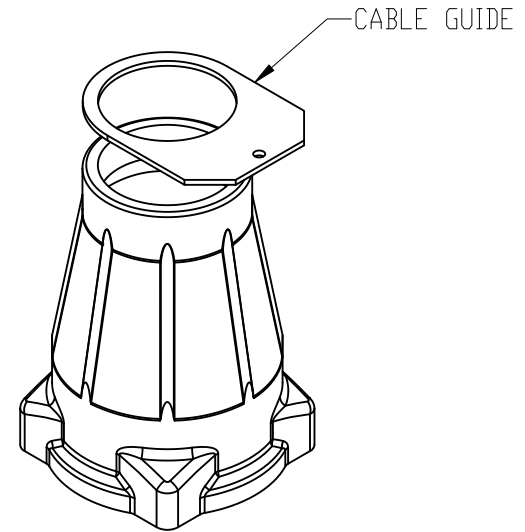
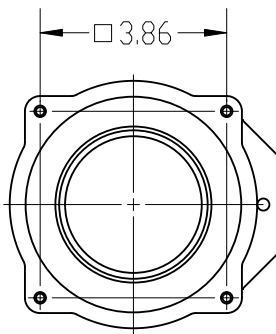
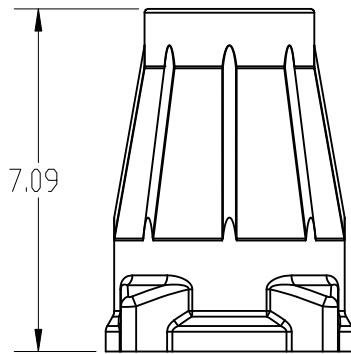
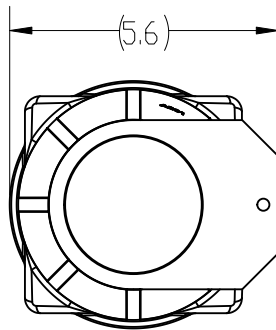




This drawing is the property of MELTRIC Corporation, Franklin (Milwaukee), Wisconsin, USA. Any unauthorized copying of this drawing by any means, or disclosure of its contents to any person not authorized by MELTRIC Corporation or its agents to receive it, is strictly prohibited.

ENG/RD/06 REV: 21 ISSUED DATE: 10/7/16



PART NUMBER	NPT HOLE SIZE
516P0N15443	1-1/2" NPT
516P0N25443	2-1/2" NPT

TOLERANCES UNLESS OTHERWISE SPECIFIED	
MACHINED SURFACES $\sqrt{125}$ MAX	<p>ENGLISH</p> <p>0.X ±0.05</p> <p>0.XX ±0.01</p> <p>0.XXX ±0.005</p>
GROUND SURFACES $\sqrt{32}$ MAX	
ANGLE TOLERANCE ±1°	
REMOVE BURRS & SHARP EDGES TO .015 MAX.	
 DIMENSIONS SHOWN IN OVALS ARE INSPECTION DIMENSIONS.	

 A COMPANY OF MARÉCHAL ÉLECTRIC		DRAWING TITLE:	
DRAWN WF	APPROVED	SIZE 6 PLASTIC HANDLE, WITH CABLE GUIDE	
DATE: 12/21/2020	SCALE NTS	MATERIAL: BLACK PLASTIC	
SHEET: 1 OF 1	PART NUMBER 516P0Nxx433	REVISION	