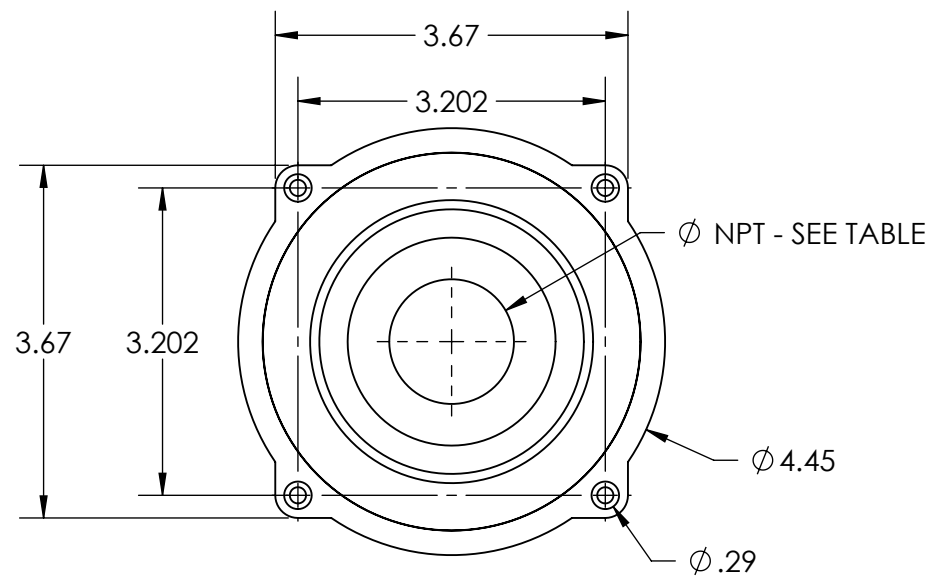
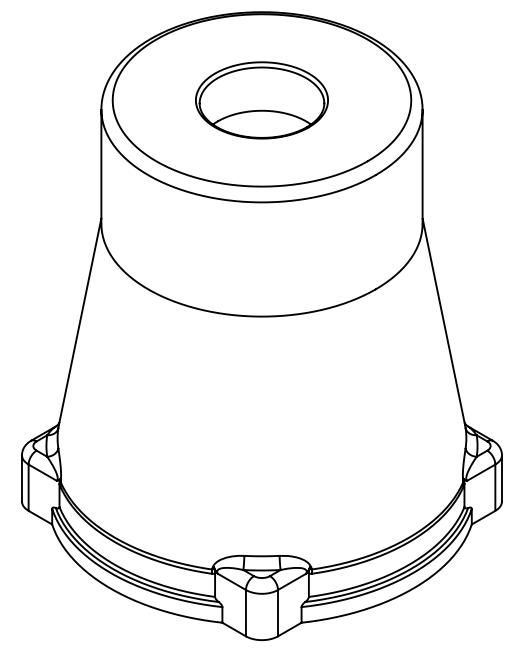
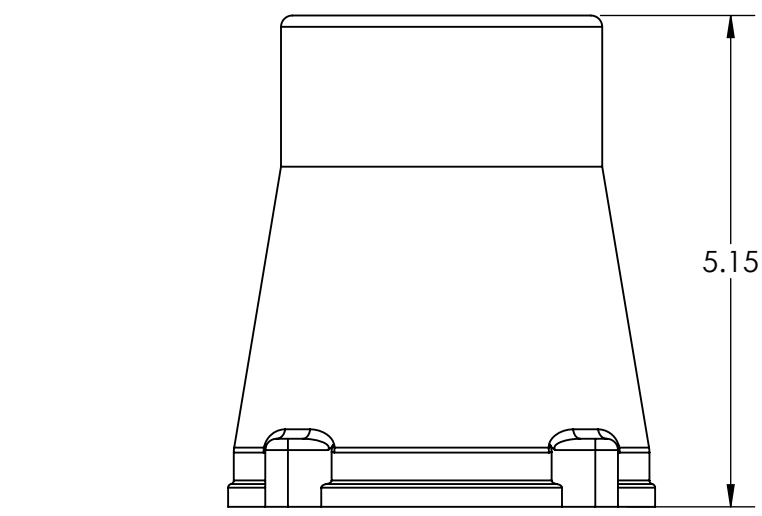


This drawing is the property of MELTRIC Corporation, Franklin (Milwaukee) Wisconsin, USA. Any unauthorized copying of this drawing by any means, ENG/RD/06 REV: 20 ISSUED DATE: 1/15/11 or disclosure of its contents to any person not authorized by MELTRIC Corporation or its agents to receive it, is strictly prohibited.



PART NUMBER	THREAD SIZE
515PON07	3/4" NPT
515PON10	1" NPT
515PON12	1-1/4" NPT
515PON15	1-1/2" NPT
515PON20	2" NPT

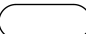
TOLERANCES UNLESS OTHERWISE SPECIFIED

MACHINED SURFACES $\sqrt[125]{\text{MAX}}$

GROUND SURFACES $\sqrt[32]{\text{MAX}}$

ANGLE TOLERANCE $\pm 1^\circ$

REMOVE BURRS & SHARP EDGES TO .015 MAX.

 DIMENSIONS SHOWN IN OVALS ARE INSPECTION DIMENSIONS.

ENGLISH

0.X ± 0.05

0.XX ± 0.01

0.XXX ± 0.005

MELTRIC
A COMPANY OF MARÉCHAL ÉLECTRIC

DRAWN	APPROVED	DRAWING TITLE:	
DATE:		SCALE	MATERIAL:
SHEET:		PART NUMBER	REVISION
1 OF 1	POLY HANDLE	515PONxx	

BLUE POLY