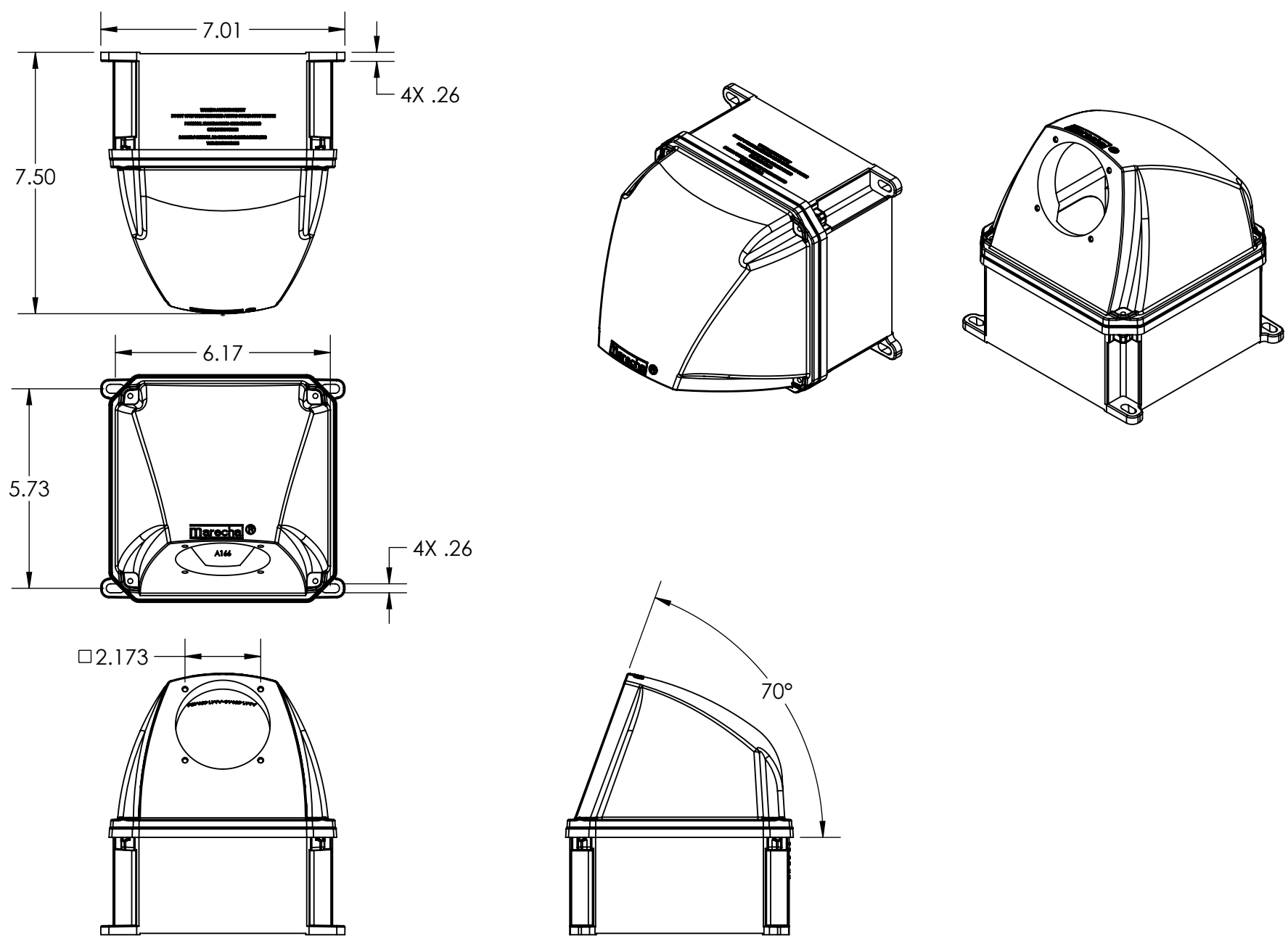


This drawing is the property of MELTRIC Corporation, Franklin (Milwaukee) Wisconsin, USA. Any unauthorized copying of this drawing by any means, ENGR/D/06 REV: 21 ISSUED DATE: 10/7/16 or disclosure of its contents to any person not authorized by MELTRIC Corporation or its agents to receive it, is strictly prohibited.



TOLERANCES UNLESS OTHERWISE SPECIFIED		 A COMPANY OF MARICHAL ELECTRIC			
MACHINED SURFACES $\sqrt[125]{\text{MAX}}$	ENGLISH			DRAWN	APPROVED
GROUND SURFACES $\sqrt[32]{\text{MAX}}$	0.X ±0.05	DATE:		SCALE	MATERIAL:
ANGLE TOLERANCE ±1°	0.XX ±0.01	SHEET:		NTS	BLUE POLY
REMOVE BURRS & SHARP EDGES TO .015 MAX.	0.XXX ±0.005	1 OF 1		PART NUMBER	
DIMENSIONS SHOWN IN OVALS ARE INSPECTION DIMENSIONS.				REVISION	
				513C7000	