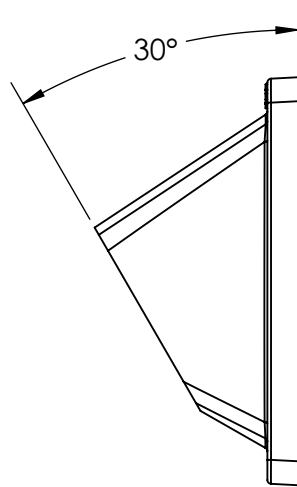
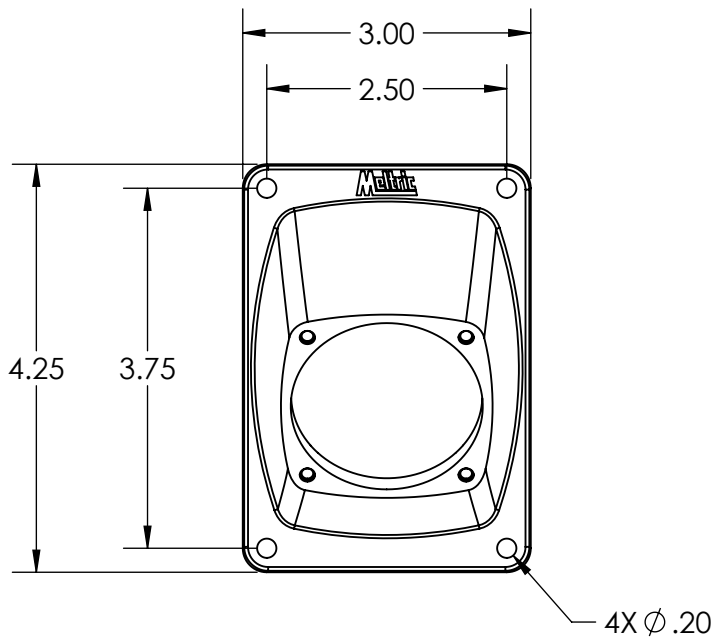
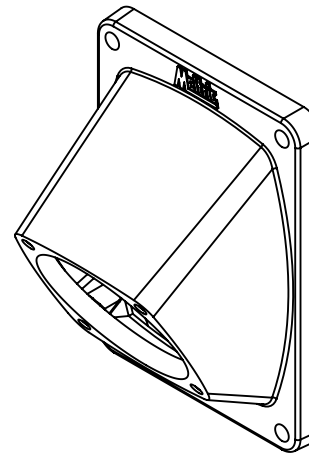
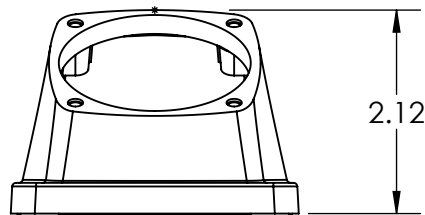
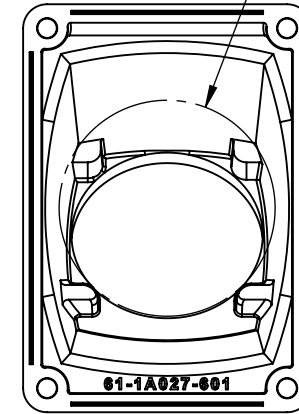



This drawing is the property of MELTRIC Corporation, Franklin (Milwaukee), Wisconsin, USA. Any unauthorized copying of this drawing by any means, or disclosure of its contents to any person not authorized by MELTRIC Corporation or its agents to receive it, is strictly prohibited. ENG/RD/06 REV: 20 ISSUED DATE: 1/15/11



(Ø2.25 PANEL KNOCKOUT HOLE)



TOLERANCES UNLESS OTHERWISE SPECIFIED		MELTRIC A COMPANY OF MARÉCHAL ÉLECTRIC	
MACHINED SURFACES $\sqrt[125]{\text{MAX}}$	ENGLISH	DRAWN	APPROVED
GROUND SURFACES $\sqrt[32]{\text{MAX}}$		DATE:	SCALE
ANGLE TOLERANCE $\pm 1^\circ$	0.X $\pm 0.05$ 0.XX $\pm 0.01$ 0.XXX $\pm 0.005$	DRAWING TITLE: <b>30° POLY ANGLE</b>	
REMOVE BURRS & SHARP EDGES TO .015 MAX.		MATERIAL:	REVISION
 DIMENSIONS SHOWN IN OVALS ARE INSPECTION DIMENSIONS.		SHEET: 1 OF 1	PART NUMBER: 511M3