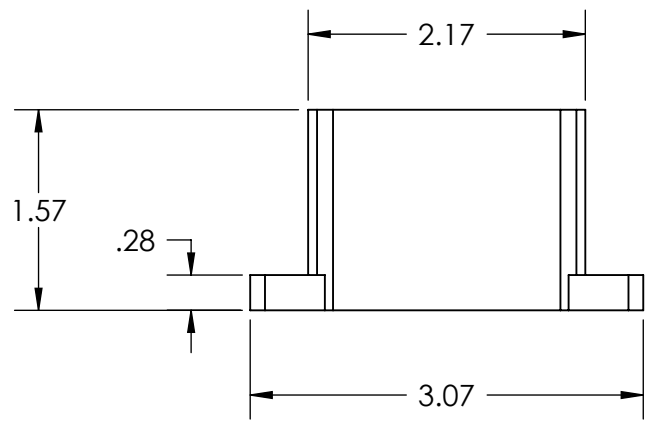
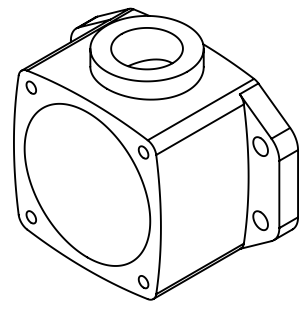
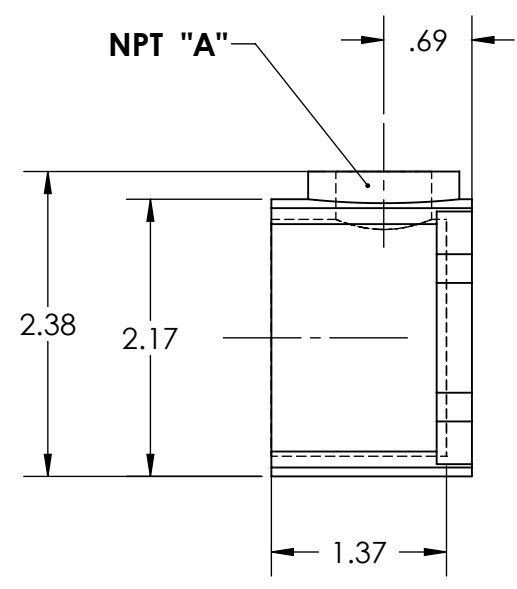
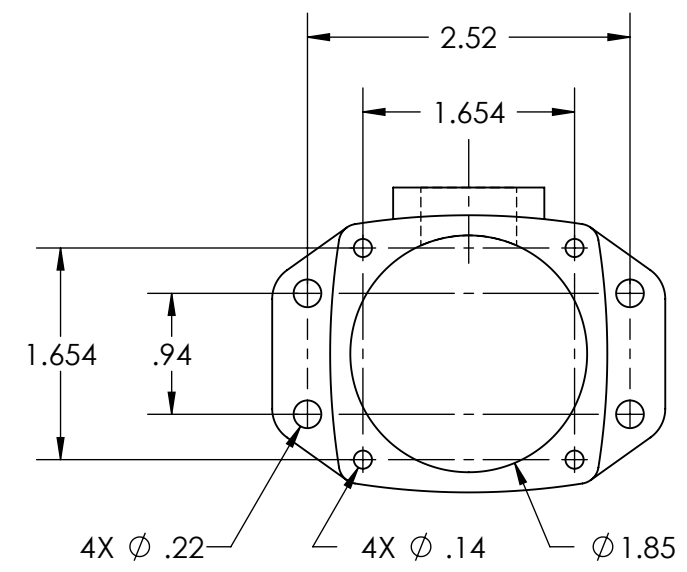


This drawing is the property of MELTRIC Corporation, Franklin (Milwaukee) Wisconsin, USA. Any unauthorized copying of this drawing by any means, ENG/RD/06 REV: 20 ISSUED DATE: 1/15/11 or disclosure of its contents to any person not authorized by MELTRIC Corporation or its agents to receive it, is strictly prohibited.



PART #	NPT "A"
511BON05	1/2" NPT
511BON07	3/4" NPT

TOLERANCES UNLESS OTHERWISE SPECIFIED		MELTRIC A COMPANY OF MARÉCHAL ÉLECTRIC	
MACHINED SURFACES #error: broken link GROUND SURFACES #error: broken link ANGLE TOLERANCE ±1° REMOVE BURRS & SHARP EDGES TO .015 MAX.	ENGLISH 0.X ±0.05 0.XX ±0.01 0.XXX ±0.005	DRAWN: _____ APPROVED: _____ DATE: _____	DRAWING TITLE: POLY STRAIGHT WALL BOX SCALE: NTS MATERIAL: BLUE POLY
DIMENSIONS SHOWN IN OVALS ARE INSPECTION DIMENSIONS.		SHEET: 1 OF 1	PART NUMBER: 511BONxx REVISION: _____