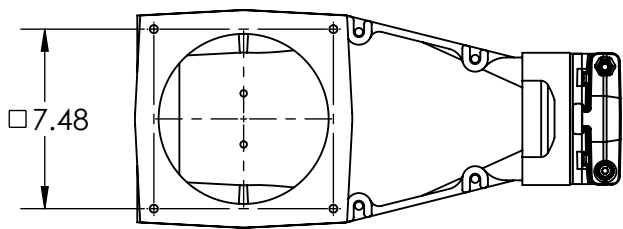
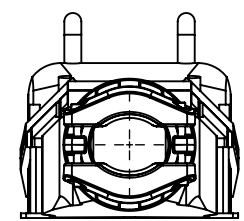
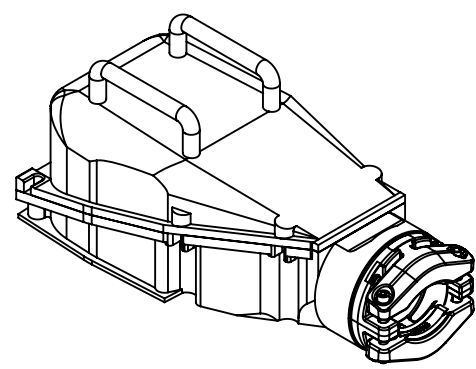
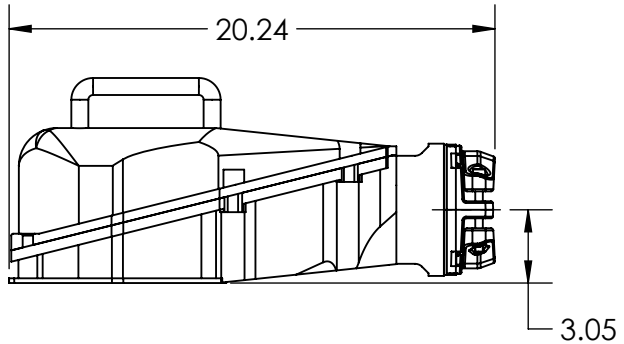
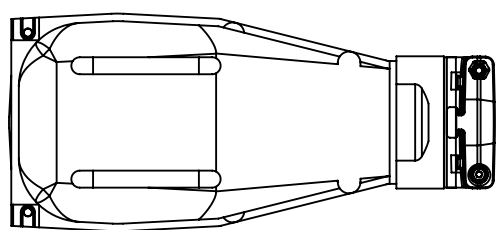
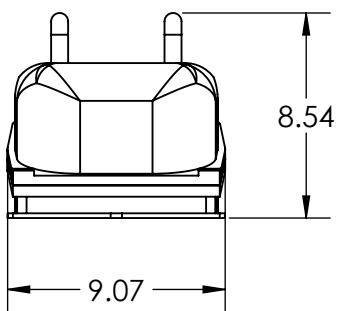
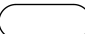



This drawing is the property of MELTRIC Corporation, Franklin (Milwaukee) Wisconsin, USA. Any unauthorized copying of this drawing by any means, ENGR/D/06 REV: 21 ISSUED DATE: 10/7/16 or disclosure of its contents to any person not authorized by MELTRIC Corporation or its agents to receive it, is strictly prohibited.



PART NUMBER	CABLE RANGE
49-6A913-50	40-50mm
49-6A913-60	56-60mm
49-6A913-70	66-70mm
49-6A913-80	76-80mm
49-6A913-90	86-90mm

TOLERANCES UNLESS OTHERWISE SPECIFIED	
MACHINED SURFACES $\sqrt[125]{\text{MAX}}$	<b>ENGLISH</b> <b>0.X ±0.05</b> <b>0.XX ±0.01</b> <b>0.XXX ±0.005</b>
GROUND SURFACES $\sqrt[32]{\text{MAX}}$	
ANGLE TOLERANCE ±1°	
REMOVE BURRS & SHARP EDGES TO .015 MAX.	
 DIMENSIONS SHOWN IN OVALS ARE INSPECTION DIMENSIONS.	

 A COMPANY OF MARÉCHAL ÉLECTRIC			
DRAWN	APPROVED	DRAWING TITLE:	
		PF600 ANGLED HANDLE	
DATE:	SCALE	MATERIAL:	
	NTS	METAL PAINTED GRAY	
SHEET:	PART NUMBER		REVISION
1 OF 1	49-6A913-xx		