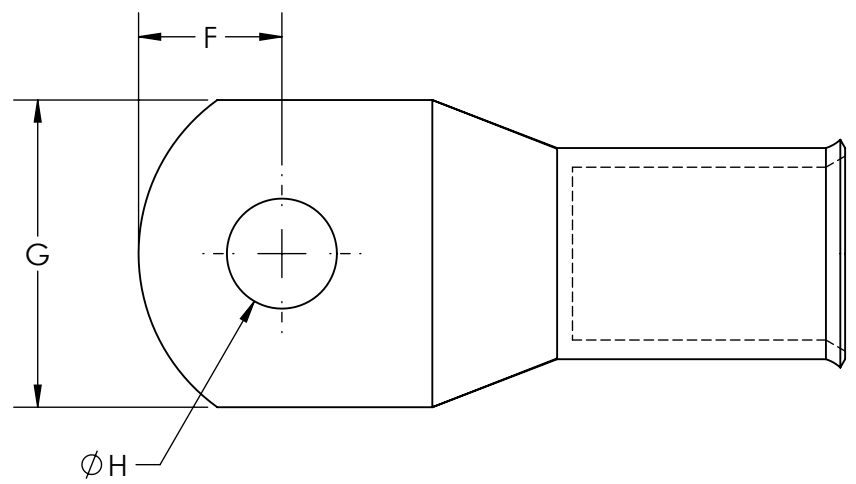
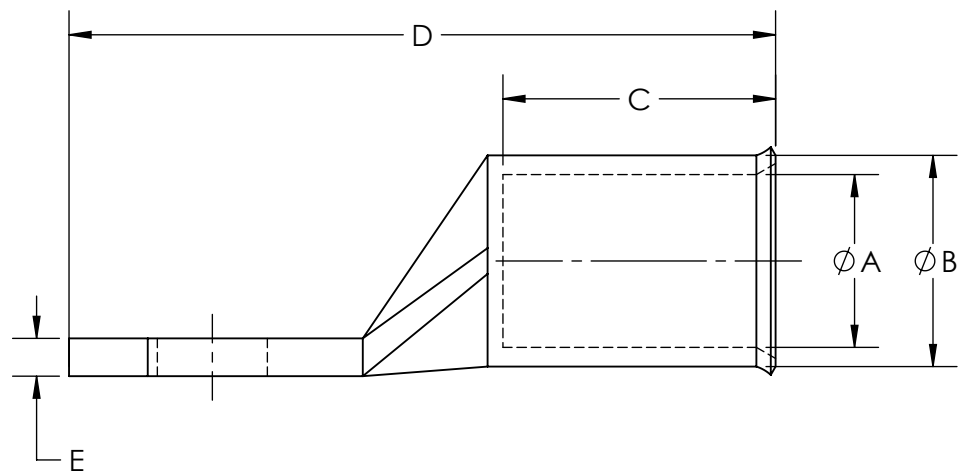
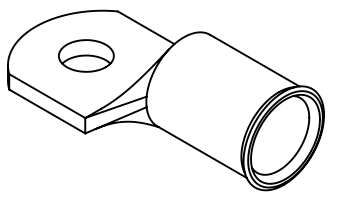


This drawing is the property of MELTRIC Corporation, Franklin (Milwaukee), Wisconsin, USA. Any unauthorized copying of this drawing by any means, ENG/RD/06 REV: 21 ISSUED DATE: 10/7/16 or disclosure of its contents to any person not authorized by MELTRIC Corporation or its agents to receive it, is strictly prohibited.



***CLASS H & I**

M12-1.75x35mm BOLT & STAR WASHER INCLUDED



PART NUMBER	DIMENSION (INCHES)						FLEXIBLE WIRING*		COARSE WIRING	
	Ø A	Ø B	C	D	E	F	mm ²	AWG	mm ²	AWG
45-4A50C	.43	.60	.84	2.16	.15	.40	50	1/0	70	2/0
45-4A70C	.51	.67	1.09	2.67	.15	.53	70	2/0	95	3/0
45-4A95C	.57	.75	1.16	2.97	.18	.54	95	3/0	120	4/0
45-4A12C	.64	.81	1.12	2.91	.19	.59	120	250	150	300
45-4A15C	.71	.93	1.45	3.46	.21	.67	150	300	185	400
45-4A18C	.81	1.03	1.62	3.78	.22	.75	185	350	240	450
45-4A24C	.91	1.10	1.62	3.73	.20	.76	240	450	300	500
45-4A30C	1.03	1.25	1.95	4.36	.24	.79	300	600	400	750
45-4A40C	1.15	1.56	2.00	5.01	.24	.83	400	750,777	500	800

**FOR CS1000 DEVICES:
USE WITH 30° ANGLE
OR DIRECT MOUNTING.**

TOLERANCES UNLESS OTHERWISE SPECIFIED

MACHINED SURFACES $\sqrt[125]{\text{MAX}}$

GROUND SURFACES $\sqrt[32]{\text{MAX}}$

ANGLE TOLERANCE $\pm 1^\circ$

REMOVE BURRS & SHARP EDGES TO .015 MAX.

DIMENSIONS SHOWN IN OVALS ARE INSPECTION DIMENSIONS.

ENGLISH

0.X ± 0.05
0.XX ± 0.01
0.XXX ± 0.005

MELTRIC
A COMPANY OF MARÉCHAL ÉLECTRIC

DRAWN: _____ APPROVED: _____ DRAWING TITLE: SP AND CS1000 STRAIGHT CRIMPING LUG W/TERMINAL

DATE: _____ SCALE: NTS MATERIAL: METAL

SHEET: 1 OF 1 PART NUMBER: 45-4AxxC REVISION: _____