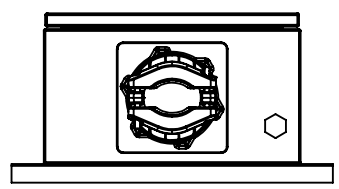
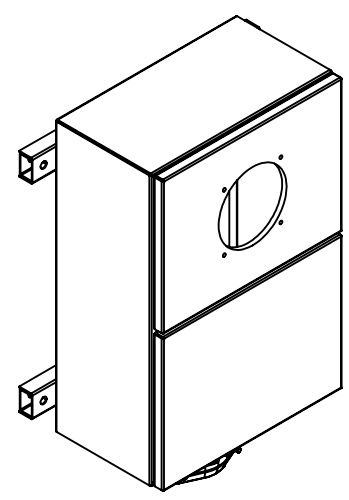
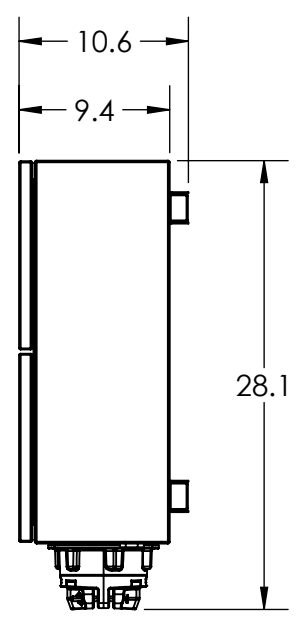
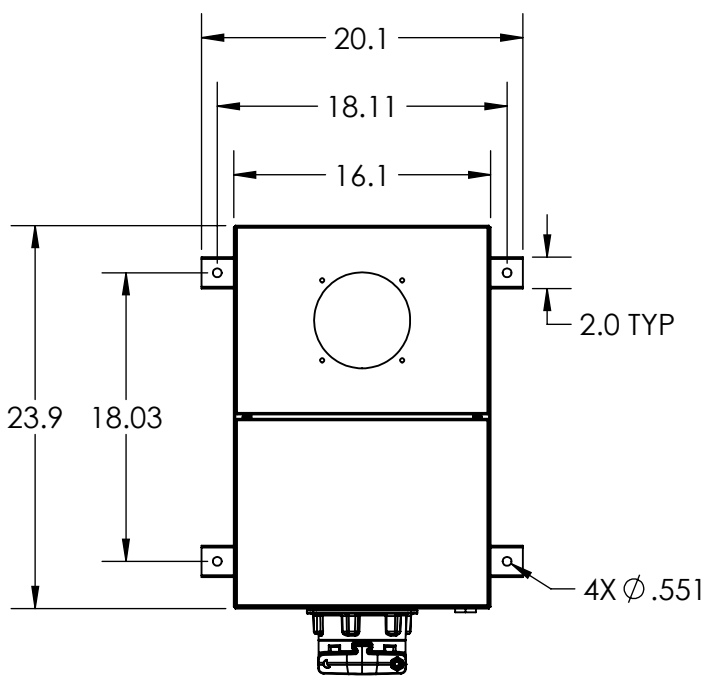


This drawing is the property of MELTRIC Corporation, Franklin (Milwaukee) Wisconsin, USA. Any unauthorized copying of this drawing by any means, ENG/RD/06 REV: 21 ISSUED DATE: 10/7/16 or disclosure of its contents to any person not authorized by MELTRIC Corporation or its agents to receive it, is strictly prohibited.

G F E D C B A

1
2
3
4
5
6



PART NUMBER	CABLE RANGE
416A023050	1.575" TO 1.968"
416A023060	1.968" TO 2.362"
416A023070	2.362" TO 2.756"
416A023080	2.756" TO 3.150"
416A023090	3.150" TO 3.543"

TOLERANCES UNLESS OTHERWISE SPECIFIED		MELTRIC A COMPANY OF MARÉCHAL ÉLECTRIC		
MACHINED SURFACES $\sqrt[125]{\text{MAX}}$ GROUND SURFACES $\sqrt[32]{\text{MAX}}$ ANGLE TOLERANCE $\pm 1^\circ$ REMOVE BURRS & SHARP EDGES TO .015 MAX. DIMENSIONS SHOWN IN OVALS ARE INSPECTION DIMENSIONS.	ENGLISH 0.X ± 0.05 0.XX ± 0.01 0.XXX ± 0.005	DRAWN	APPROVED	DRAWING TITLE: P66 SMALL SS BOX W/INTEGRATED CABLE GLAND
		DATE:	SCALE NTS	MATERIAL: STAINLESS STEEL 316L
		SHEET: 1 OF 1	PART NUMBER 416A0230xx	
		REVISION		