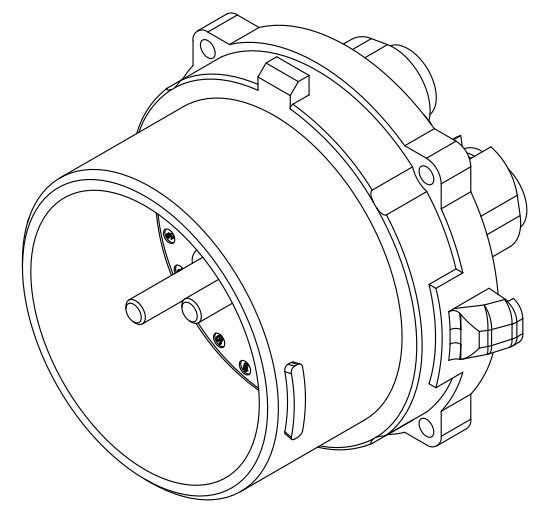
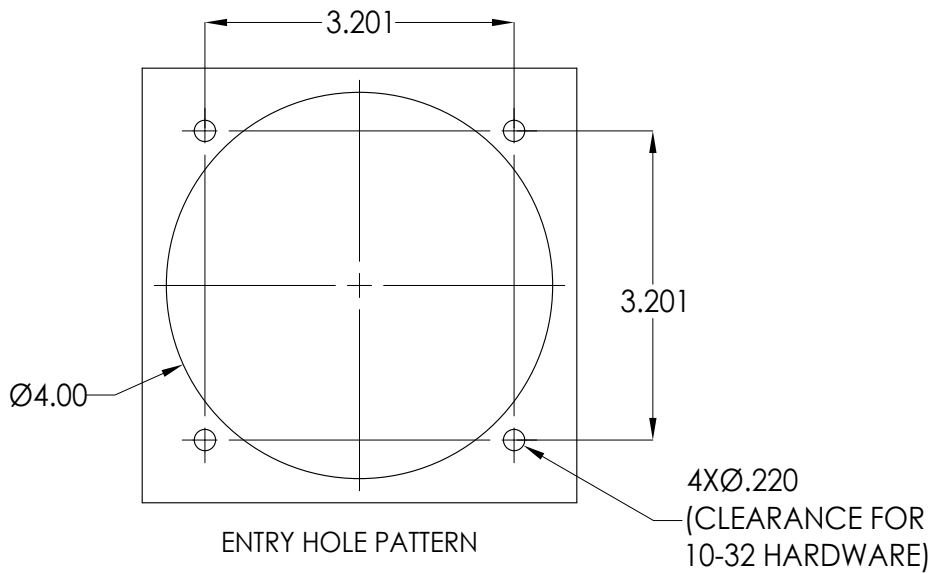
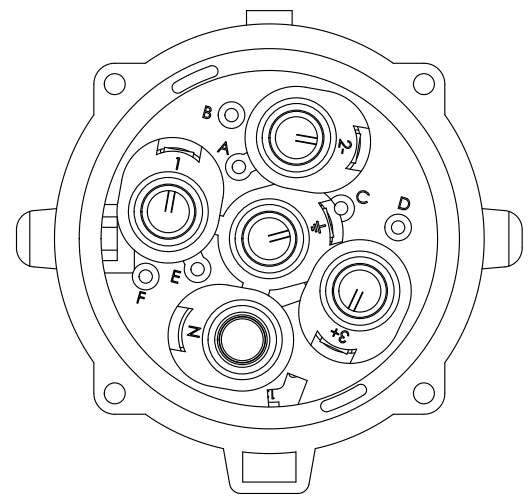
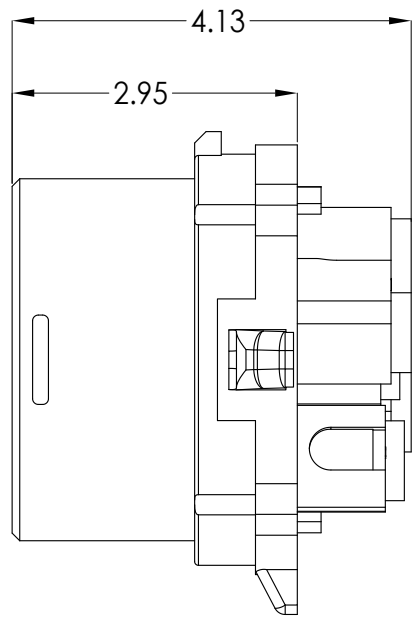
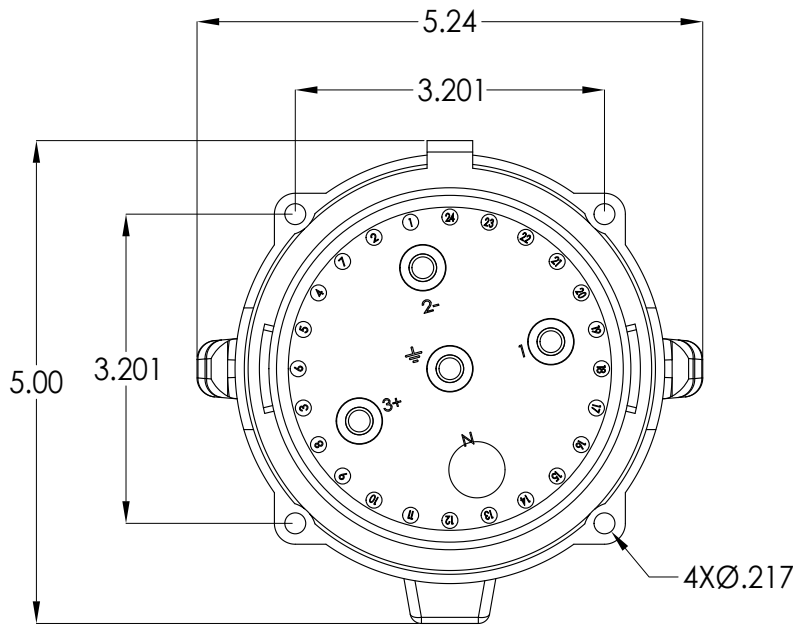

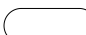


This drawing is the property of MELTRIC Corporation, Franklin (Milwaukee), Wisconsin, USA. Any unauthorized copying of this drawing by any means, or disclosure of its contents to any person not authorized by MELTRIC Corporation or its agents to receive it, is strictly prohibited.



TOLERANCES UNLESS OTHERWISE SPECIFIED		 A COMPANY OF MARÉCHAL ELECTRIC		
MACHINED SURFACES $\sqrt[125]{\text{MAX}}$	ENGLISH			DRAWN
GROUND SURFACES $\sqrt[32]{\text{MAX}}$	0.X ±0.05	DATE:	SCALE	DRAWING TITLE:
ANGLE TOLERANCE ±1°	0.XX ±0.01		NTS	DS100 METAL INLET
REMOVE BURRS & SHARP EDGES TO .015 MAX.	0.XXX ±0.005			MATERIAL:
 DIMENSIONS SHOWN IN OVALS ARE INSPECTION DIMENSIONS.		SHEET:	PART NUMBER	REVISION
		1 OF 1	37-98xxx	