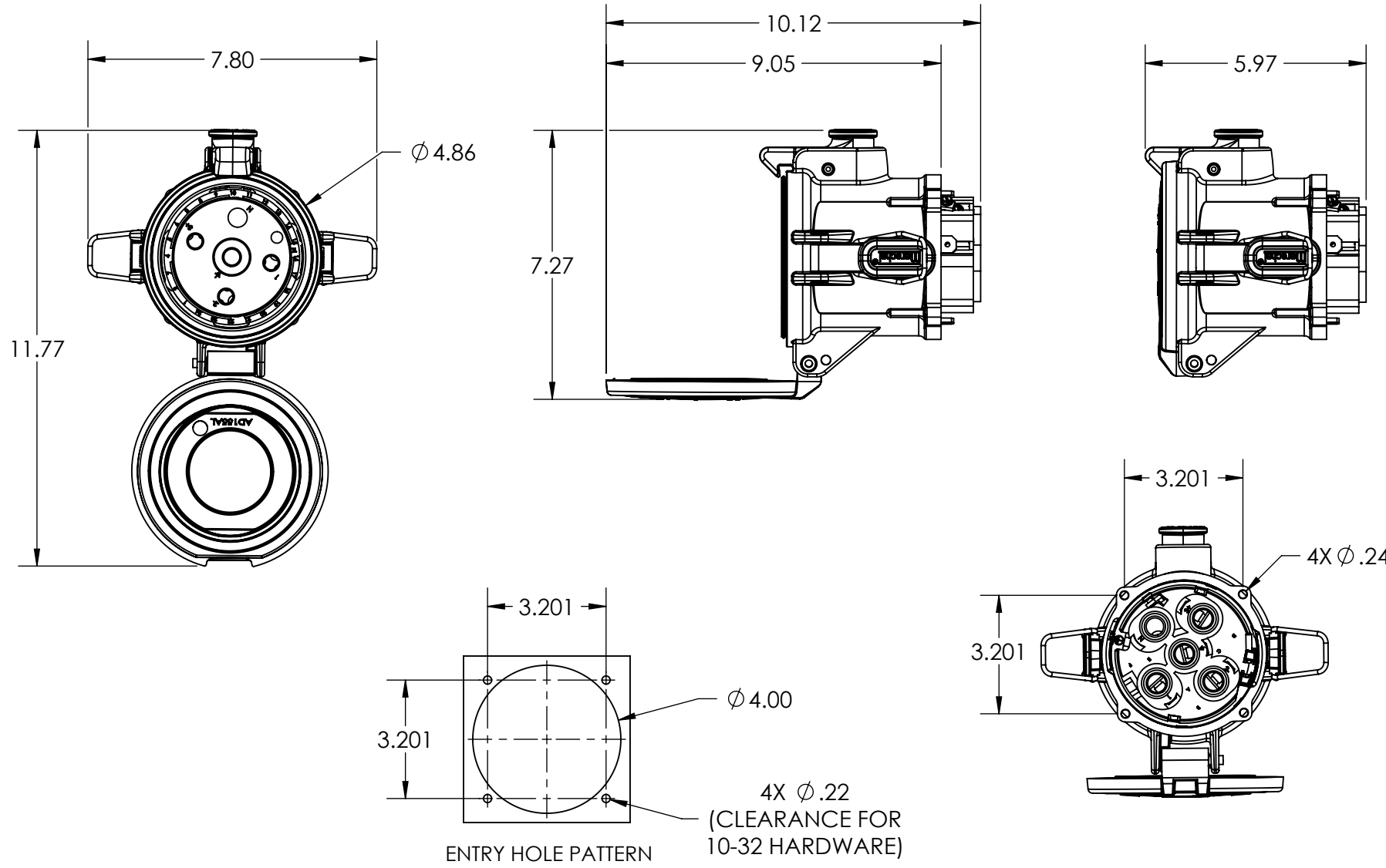
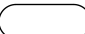


This drawing is the property of MELTRIC Corporation, Franklin (Milwaukee) Wisconsin, USA. Any unauthorized copying of this drawing by any means, or disclosure of its contents to any person not authorized by MELTRIC Corporation or its agents to receive it, is strictly prohibited. ENGR/D/06 REV: 21 ISSUED DATE: 10/7/16



TOLERANCES UNLESS OTHERWISE SPECIFIED		MELTRIC		DRAWING TITLE:	
MACHINED SURFACES $\sqrt[125]{\text{MAX}}$	ENGLISH	DRAWN	APPROVED	DS100 METAL RECEPTACLE	
GROUND SURFACES $\sqrt[32]{\text{MAX}}$		DATE:	SCALE	MATERIAL:	
ANGLE TOLERANCE $\pm 1^\circ$	0.X ± 0.05 0.XX ± 0.01 0.XXX ± 0.005	SHEET:	NTS	METAL CASING	
REMOVE BURRS & SHARP EDGES TO .015 MAX.		1 OF 1	37-94xxx	PART NUMBER	REVISION
 DIMENSIONS SHOWN IN OVALS ARE INSPECTION DIMENSIONS.					