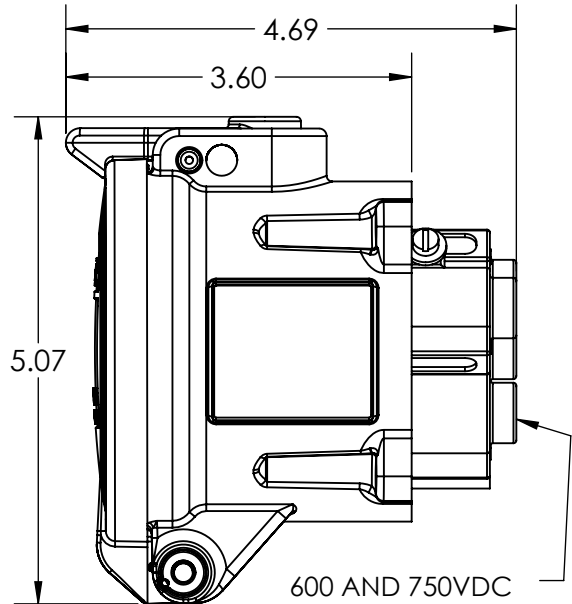
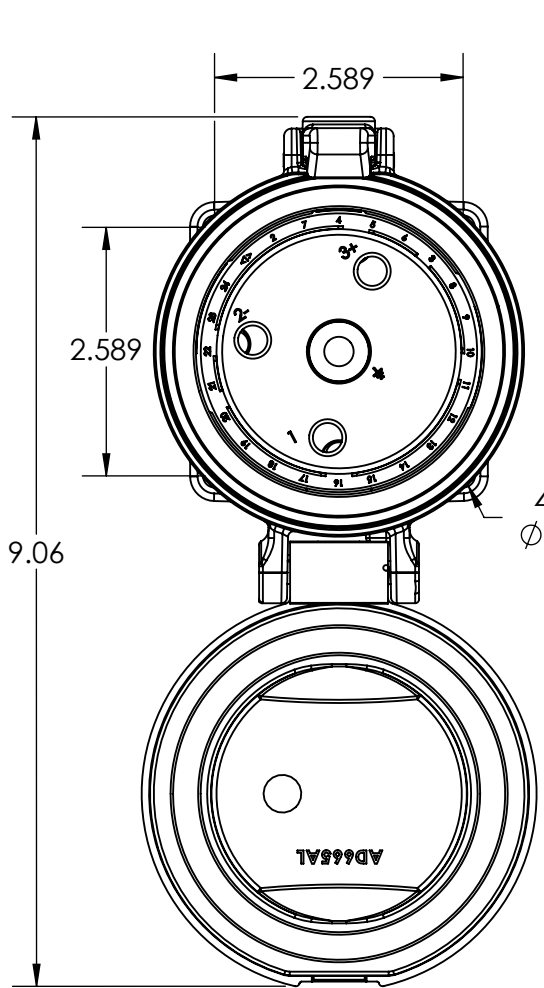
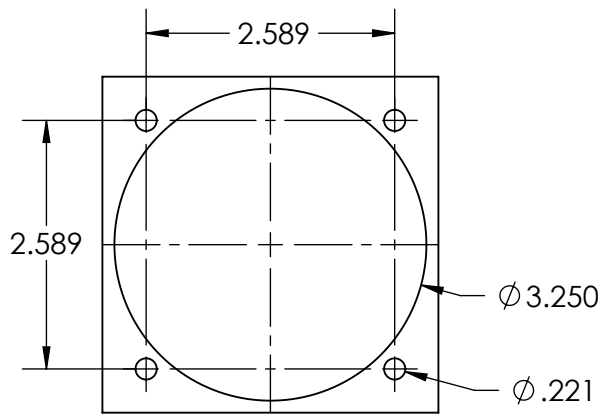
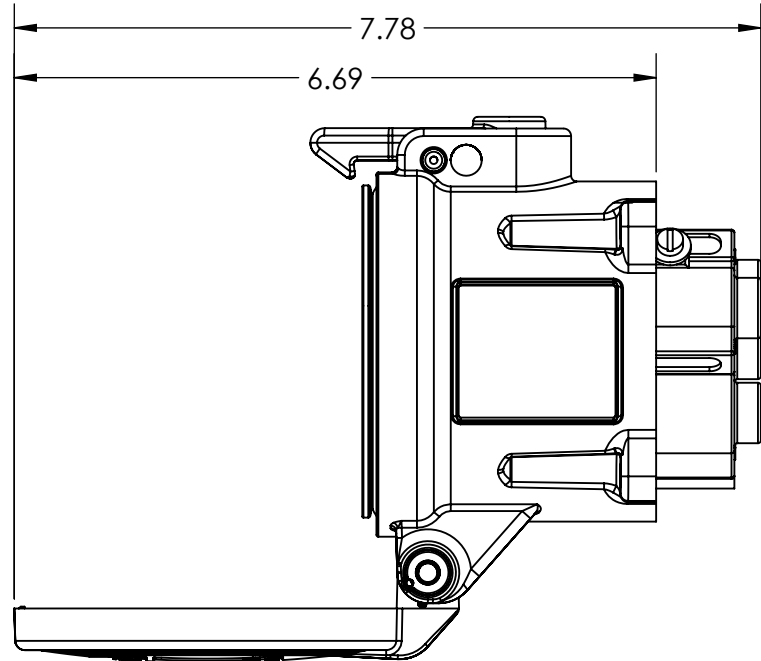


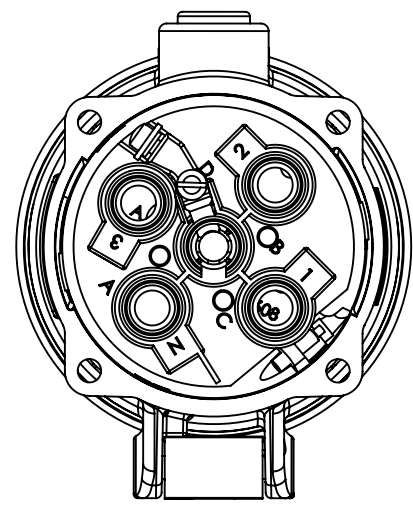
This drawing is the property of MELTRIC Corporation, Franklin (Milwaukee), Wisconsin, USA. Any unauthorized copying of this drawing by any means, ENGR/RD/06 REV: 21 ISSUED DATE: 10/7/16 or disclosure of its contents to any person not authorized by MELTRIC Corporation or its agents to receive it, is strictly prohibited.



600 AND 750VDC DEVICES WILL HAVE JUMPERS & EXTRA CONTACTS.



ENTRY HOLE PATTERN



| TOLERANCES UNLESS OTHERWISE SPECIFIED                |  | MELTRIC   |              |
|--|--|---|--------------|
| MACHINED SURFACES $\sqrt[125]{\text{MAX}}$           | ENGLISH  | DRAWN   | APPROVED     |
| GROUND SURFACES $\sqrt[32]{\text{MAX}}$              |  | DRAWING TITLE:<br>DSDC6 METAL RECEPT., ALL VOLTAGES/AMPERAGES |              |
| ANGLE TOLERANCE $\pm 1^\circ$                        | 0.X $\pm 0.05$<br>0.XX $\pm 0.01$<br>0.XXX $\pm 0.005$ | DATE:   | SCALE        |
| REMOVE BURRS & SHARP EDGES TO .015 MAX.              |  | NTS   | MATERIAL:    |
| DIMENSIONS SHOWN IN OVALS ARE INSPECTION DIMENSIONS. |  | SHEET:  | PART NUMBER  |
|  |  | 1 OF 1  | 37-64xxx-xxx |
|  |  |   | REVISION     |