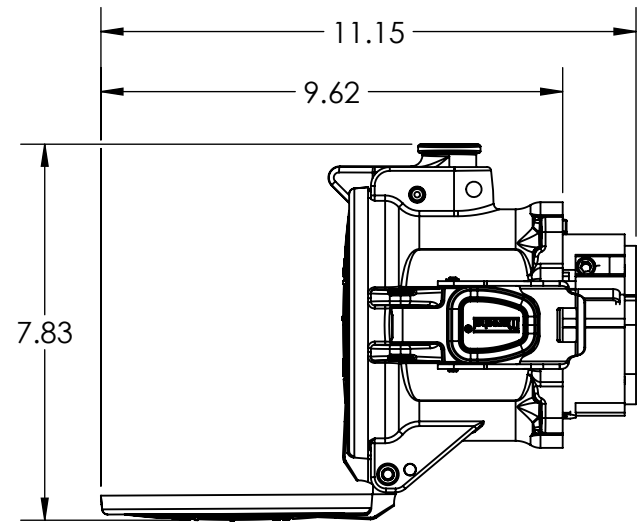
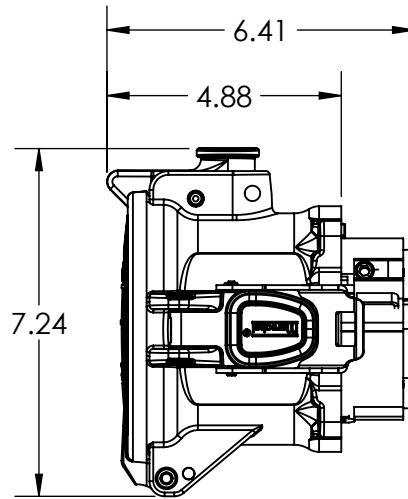
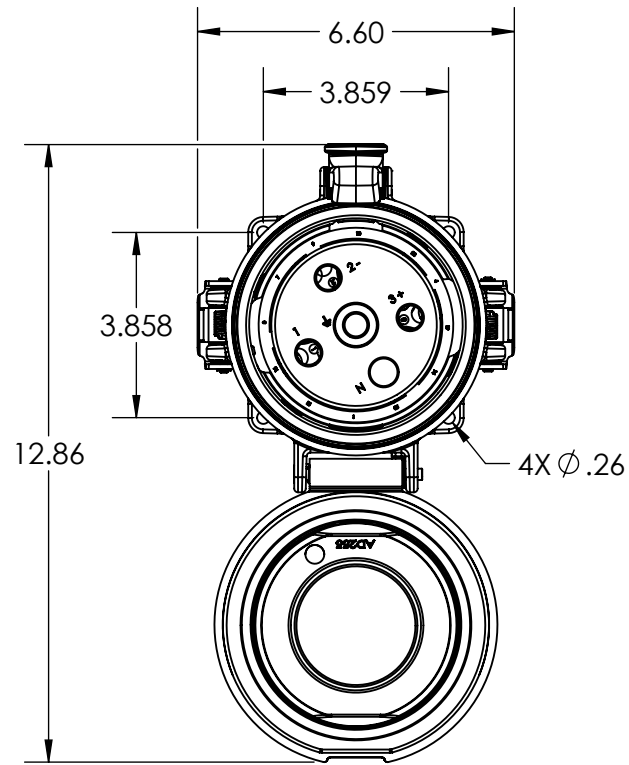
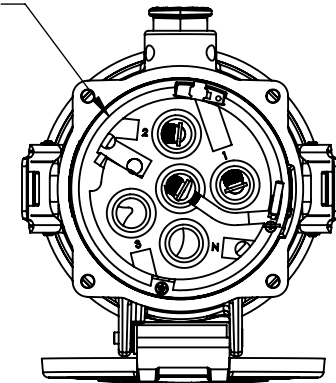
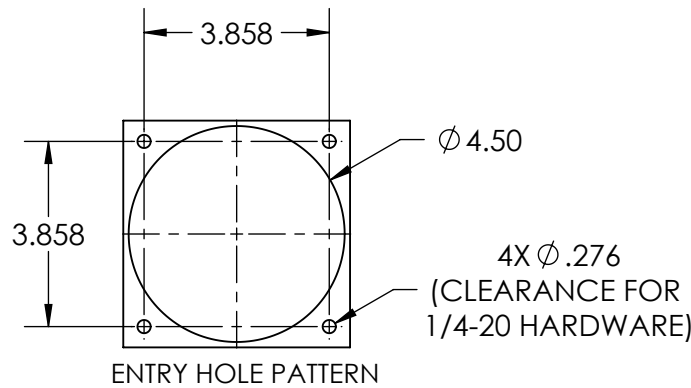
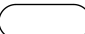


This drawing is the property of MELTRIC Corporation, Franklin (Milwaukee) Wisconsin, USA. Any unauthorized copying of this drawing by any means, ENG/RD/06 REV: 21 ISSUED DATE: 10/7/16 or disclosure of its contents to any person not authorized by MELTRIC Corporation or its agents to receive it, is strictly prohibited.



600V DC DEVICES WILL HAVE JUMPERS & EXTRA CONTACTS.



TOLERANCES UNLESS OTHERWISE SPECIFIED		MELTRIC	
MACHINED SURFACES $\sqrt{125}$ MAX	ENGLISH	DRAWN	APPROVED
GROUND SURFACES $\sqrt{32}$ MAX		DRAWING TITLE: DSDC2 RECEPT., ALL VOLTAGES/AMPERAGES	
ANGLE TOLERANCE $\pm 1^\circ$	0.X $\pm 0.05$ 0.XX $\pm 0.01$ 0.XXX $\pm 0.005$	DATE:	SCALE: NTS
REMOVE BURRS & SHARP EDGES TO .015 MAX.		MATERIAL: METAL CASING	
 DIMENSIONS SHOWN IN OVALS ARE INSPECTION DIMENSIONS.		SHEET: 1 OF 1	PART NUMBER: 37-24xxx(-xxx)