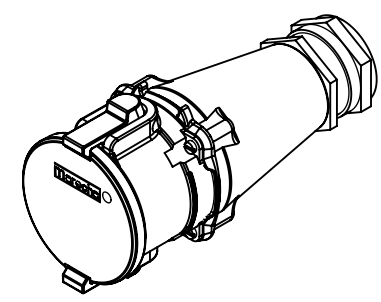


This drawing is the property of MELTRIC Corporation, Franklin (Milwaukee) Wisconsin, USA. Any unauthorized copying of this drawing by any means, ENGR/D/06 REV: 21 ISSUED DATE: 10/7/16 or disclosure of its contents to any person not authorized by MELTRIC Corporation or its agents to receive it, is strictly prohibited.

G F E D C B A



1

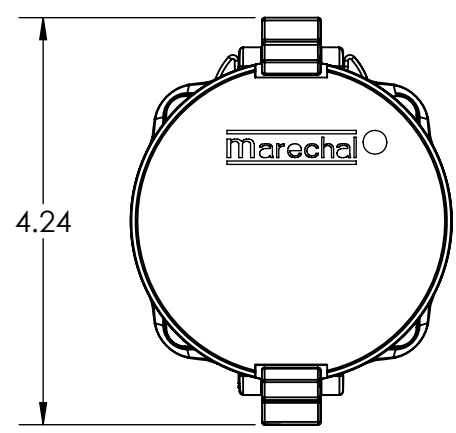
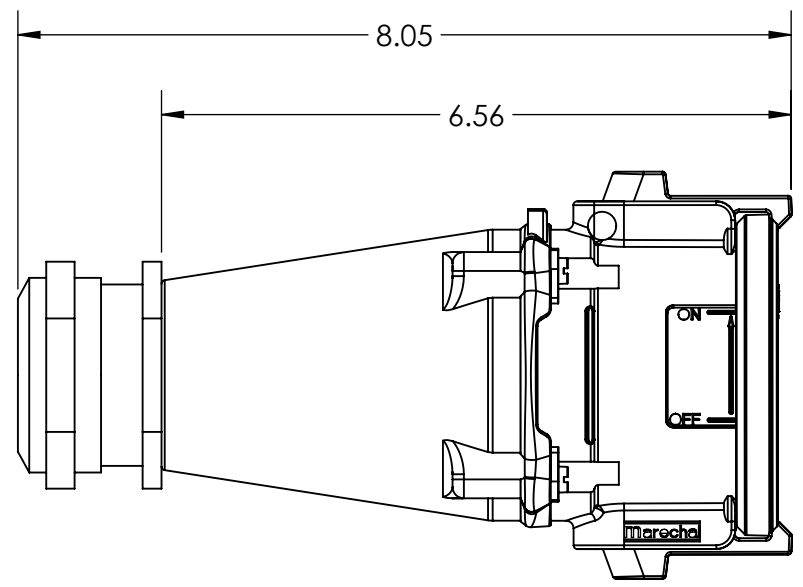
2

3


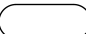
4

5

6



CABLE RANGE = .63" TO 1.063"

TOLERANCES UNLESS OTHERWISE SPECIFIED		 A COMPANY OF MARICHAL ELECTRIC				
MACHINED SURFACES $\sqrt[125]{\text{MAX}}$	ENGLISH 0.X ± 0.05 0.XX ± 0.01 0.XXX ± 0.005					DRAWN
GROUND SURFACES $\sqrt[32]{\text{MAX}}$		DATE:	SCALE	MATERIAL:		
ANGLE TOLERANCE $\pm 1^\circ$			NTS	METAL		
REMOVE BURRS & SHARP EDGES TO .015 MAX.		SHEET:	PART NUMBER		REVISION	
 DIMENSIONS SHOWN IN OVALS ARE INSPECTION DIMENSIONS.		1 OF 1	36-C3003			