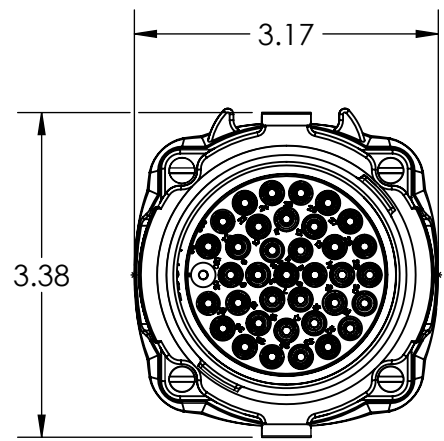
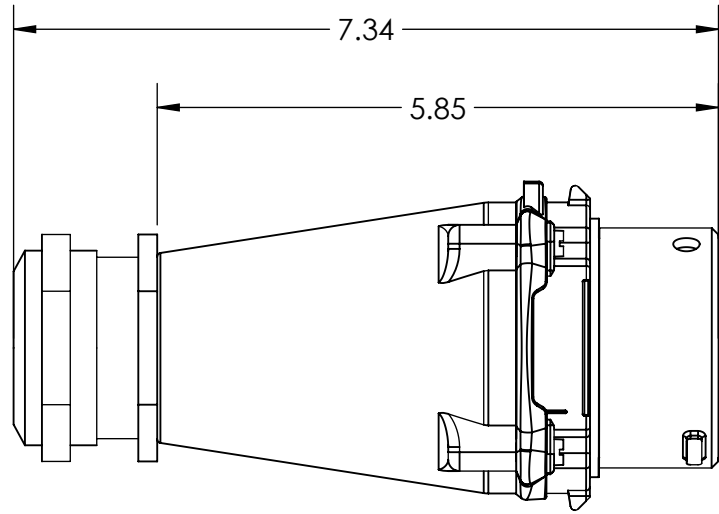
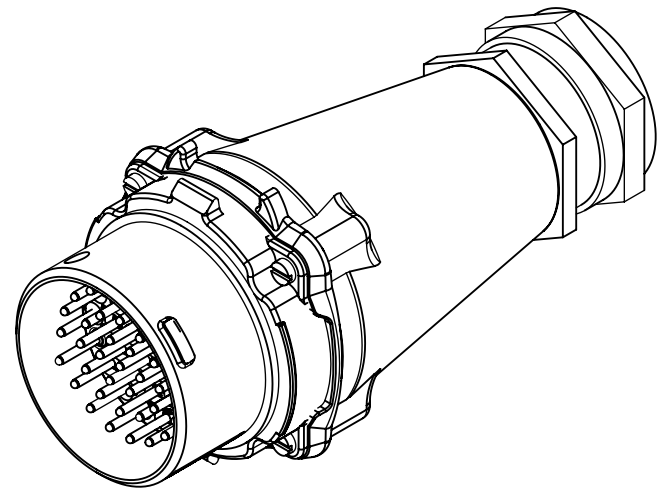



This drawing is the property of MELTRIC Corporation, Franklin (Milwaukee) Wisconsin, USA. Any unauthorized copying of this drawing by any means, ENGR/D/06 REV: 21 ISSUED DATE: 10/7/16 or disclosure of its contents to any person not authorized by MELTRIC Corporation or its agents to receive it, is strictly prohibited.

G F E D C B A



CABLE RANGE = .63" TO 1.063"

TOLERANCES UNLESS OTHERWISE SPECIFIED		 A COMPANY OF MARÉCHAL ÉLECTRIC		DRAWING TITLE:	
MACHINED SURFACES $\sqrt{125}^{\text{MAX}}$ GROUND SURFACES $\sqrt{32}^{\text{MAX}}$ ANGLE TOLERANCE $\pm 1^\circ$ REMOVE BURRS & SHARP EDGES TO .015 MAX.	<b>ENGLISH</b> 0.X $\pm 0.05$ 0.XX $\pm 0.01$ 0.XXX $\pm 0.005$			DRAWN: _____ DATE: _____	APPROVED: _____ SCALE: NTS SHEET: 1 OF 1
DIMENSIONS SHOWN IN OVALS ARE INSPECTION DIMENSIONS.		PART NUMBER: 36-C1003		REVISION: _____	