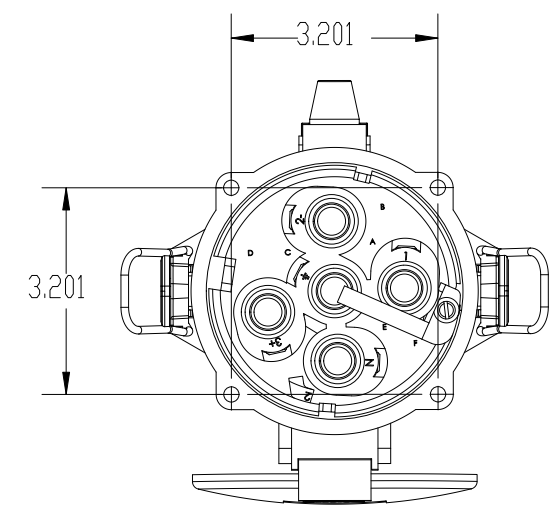
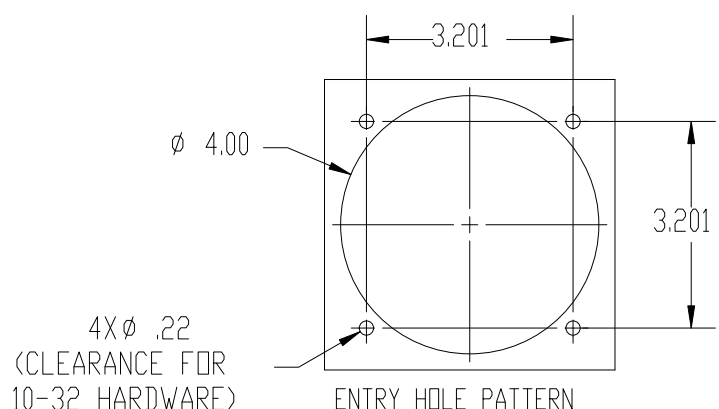
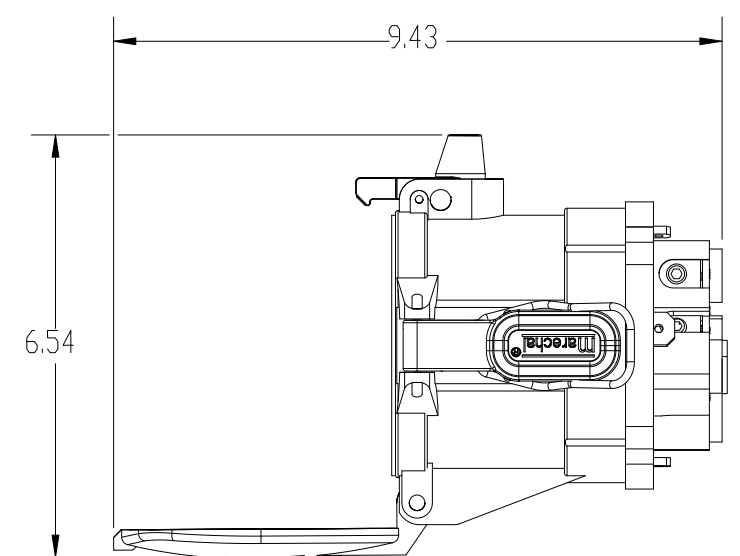
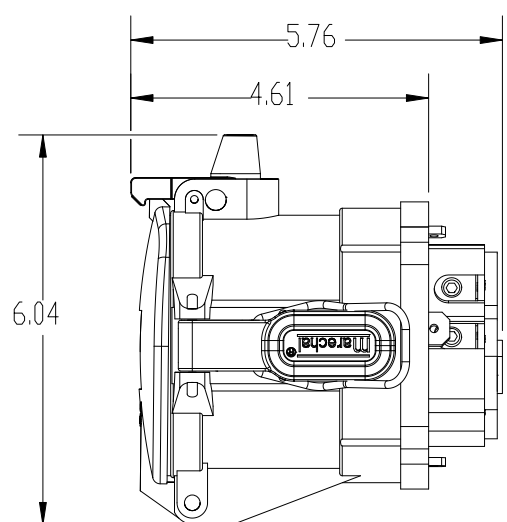
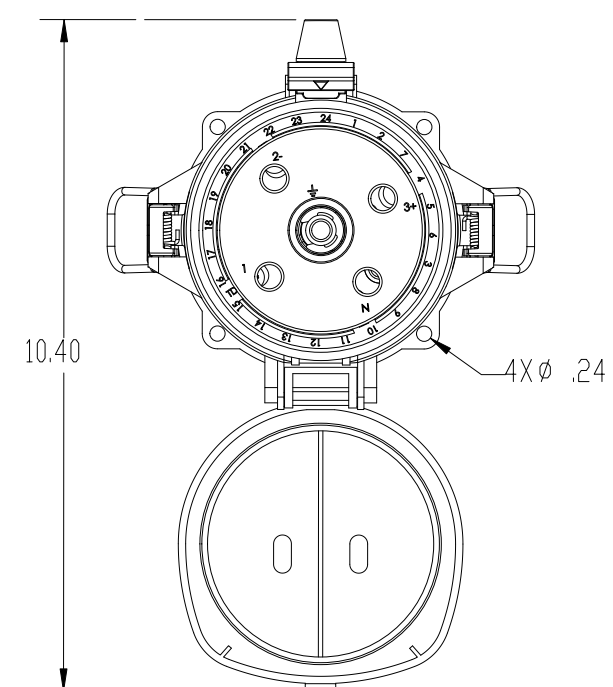


This drawing is the property of MELTRIC Corporation, Franklin (Milwaukee), Wisconsin, USA. Any unauthorized copying of this drawing by any means, or disclosure of its contents to any person not authorized by MELTRIC Corporation or its agents to receive it, is strictly prohibited.



CERTIFICATIONS:
 CSA C22.2 No. 182.1-07
 CSA C22.2 No. 213-M1987

PART NUMBER	VOLTAGE
36-94109-xxx-HAZ	130VDC
36-94209-xxx-HAZ	250VDC

TOLERANCES UNLESS OTHERWISE SPECIFIED	
MACHINED SURFACES	$\sqrt{125}$ MAX
GROUND SURFACES	$\sqrt{32}$ MAX
ANGLE TOLERANCE	$\pm 1^\circ$
REMOVE BURRS & SHARP EDGES TO .015 MAX.	
DIMENSIONS SHOWN IN OVALS ARE INSPECTION DIMENSIONS.	

ENGLISH
 0.X ± 0.05
 0.XX ± 0.01
 0.XXX ± 0.005

 A COMPANY OF MARECHAL ELECTRIC		DRAWING TITLE: DSDC9 HAZARDOUS LOCATION RECEPTACLE, 100A, 2P+G	
DATE:	SCALE NTS	MATERIAL: BLACK METAL CASING	
SHEET: 1 OF 1	PART NUMBER 36-94x09-xxx-HAZ	REVISION	