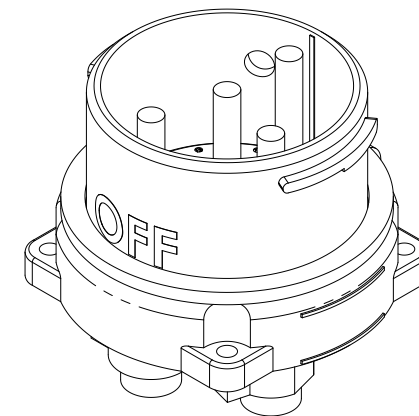
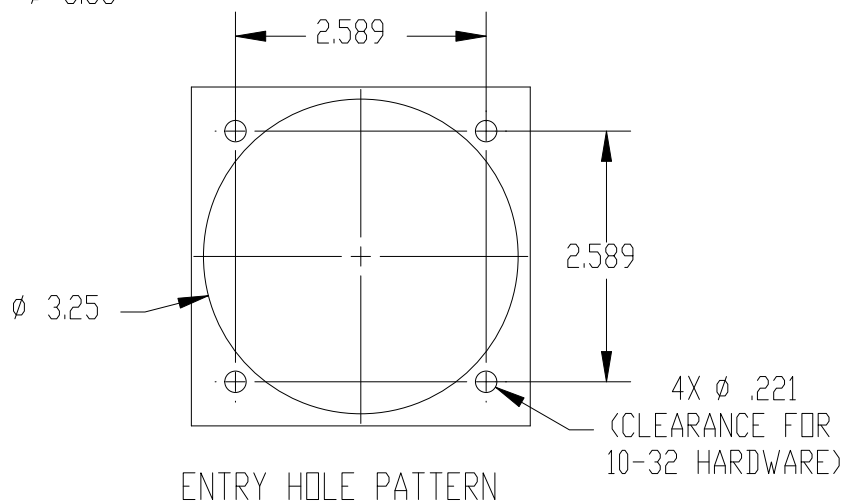
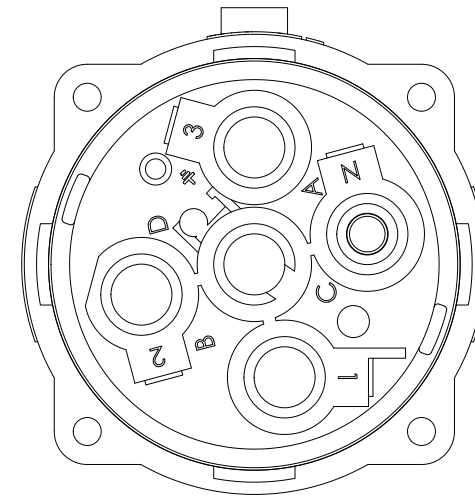
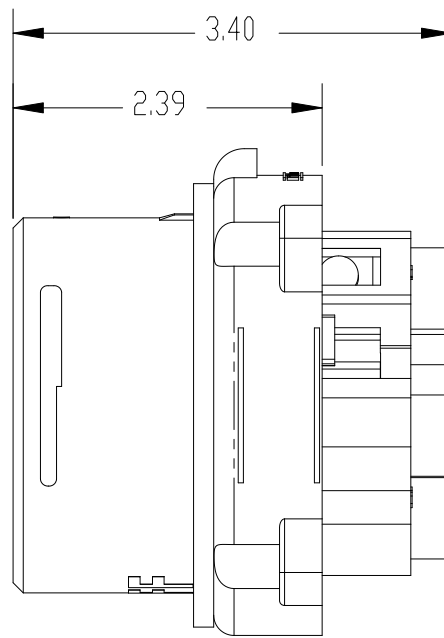
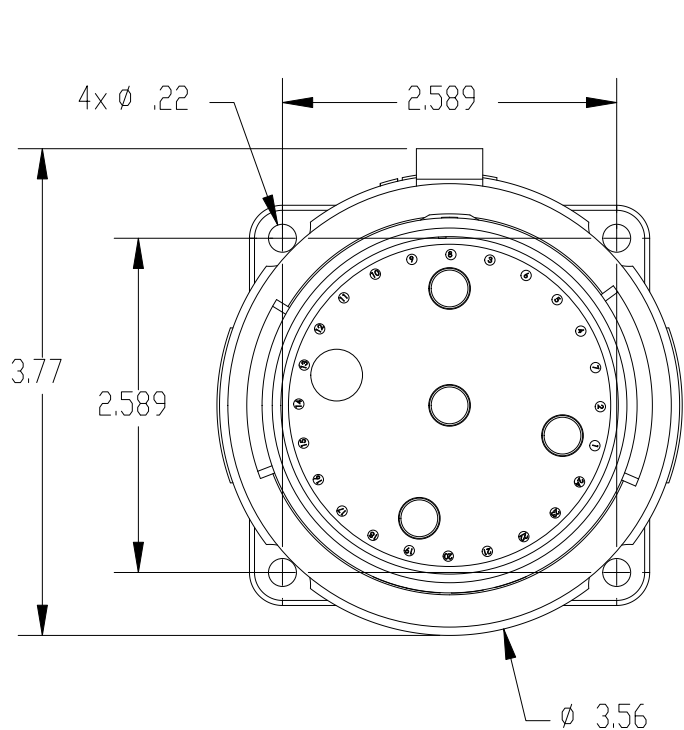


This drawing is the property of MELTRIC Corporation, Franklin (Milwaukee), Wisconsin, USA. Any unauthorized copying of this drawing by any means, or disclosure of its contents to any person not authorized by MELTRIC Corporation or its agents to receive it, is strictly prohibited.



CERTIFICATIONS:
 CSA C22.2 No. 182.1-07
 CSA C22.2 No. 213-M1987

| | |
|------------------|---------|
| PART NUMBER | VOLTAGE |
| 36-68109-xxx-HAZ | 130VDC |
| 36-68209-xxx-HAZ | 250VDC |

| | |
|--|---------|
| TOLERANCES UNLESS OTHERWISE SPECIFIED | |
| MACHINED SURFACES | 125 MAX |
| GROUND SURFACES | 32 MAX |
| ANGLE TOLERANCE | ±1° |
| REMOVE BURRS & SHARP EDGES TO .015 MAX. | |
| DIMENSIONS SHOWN IN OVALS ARE INSPECTION DIMENSIONS. | |
| ENGLISH 0.X ±0.05 0.XX ±0.01 0.XXX ±0.005 | |

| | | | |
|------------------------------------|------------------|---|----------|
| A COMPANY OF MARECHAL ELECTRIC | | | |
| DRAWN | APPROVED | DRAWING TITLE: | |
| DATE: | SCALE | DSDC6 HAZARDOUS LOCATION INLET, 60A, 2P+G | |
| | NTS | MATERIAL: | |
| | | BLACK METAL CASING | |
| SHEET: | PART NUMBER | | REVISION |
| 1 OF 1 | 36-68x09-xxx-HAZ | | |