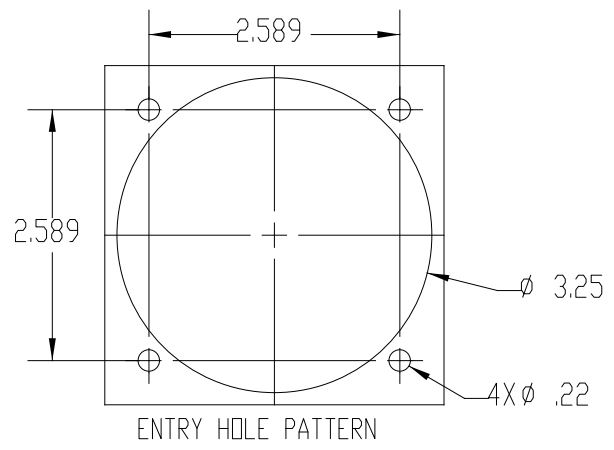
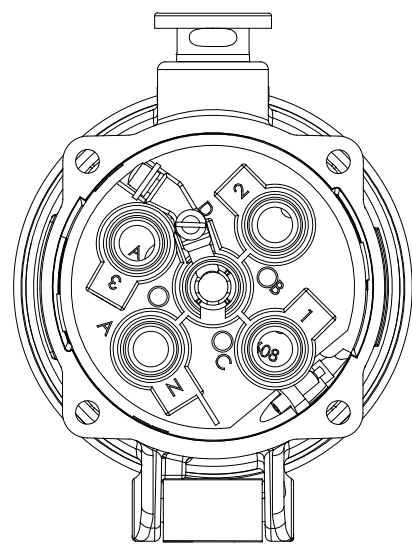
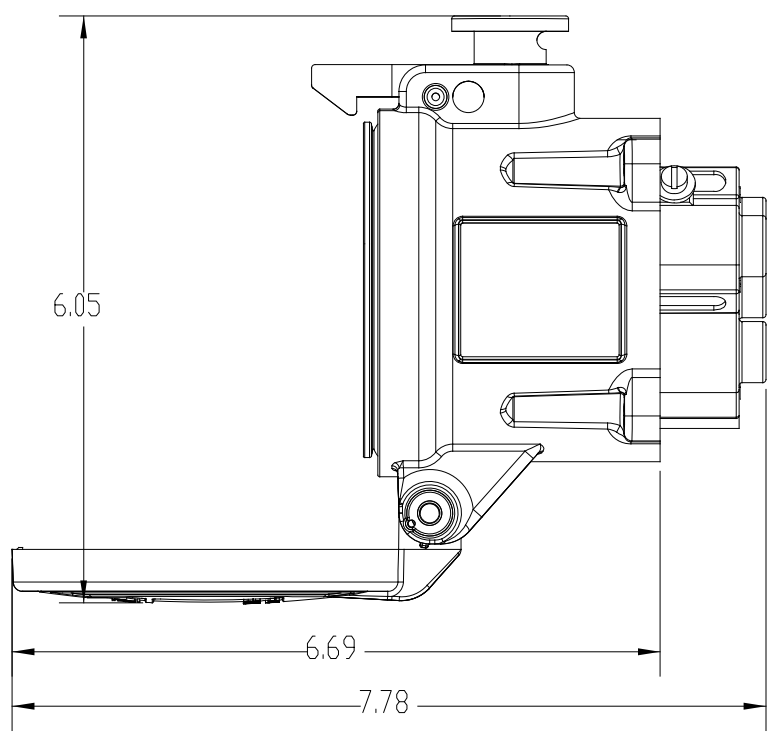
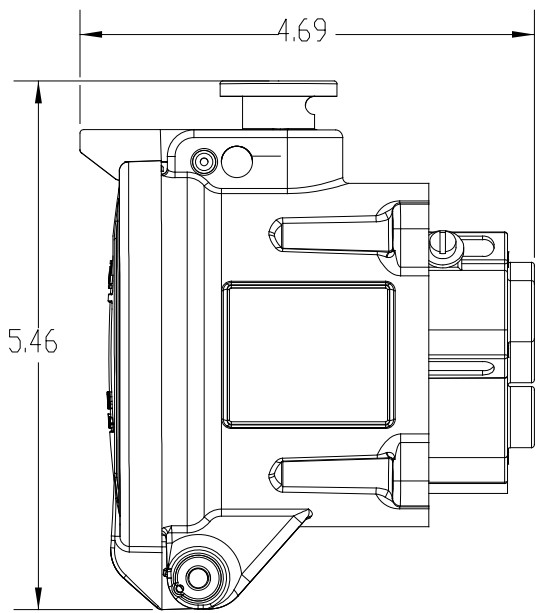
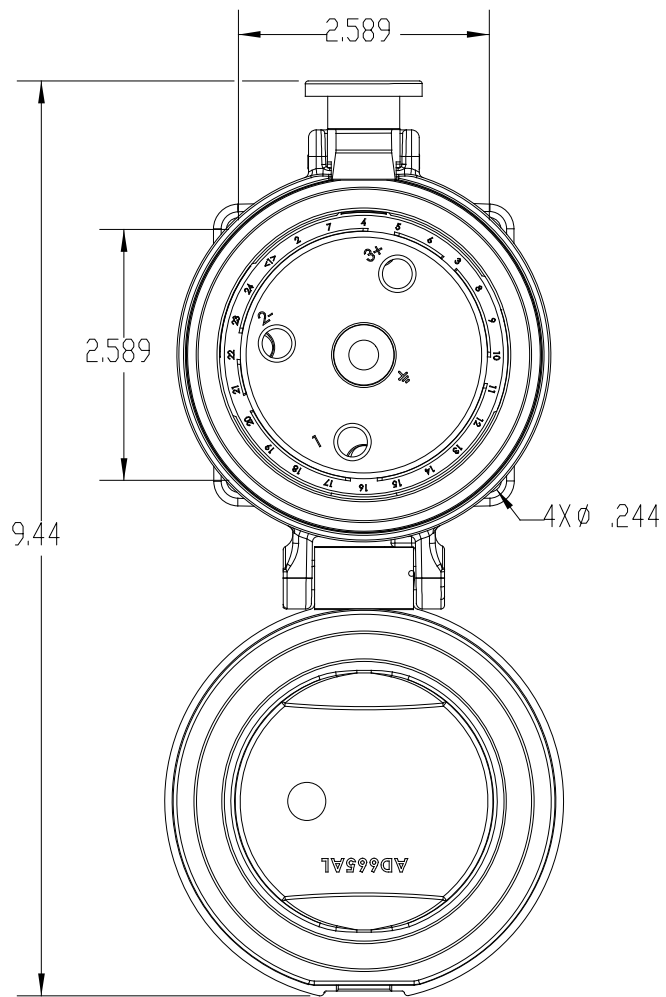


This drawing is the property of MELTRIC Corporation, Franklin (Milwaukee), Wisconsin, USA. Any unauthorized copying of this drawing by any means, or disclosure of its contents to any person not authorized by MELTRIC Corporation or its agents to receive it, is strictly prohibited.



CERTIFICATIONS:
 CSA C22.2 No. 182.1-07
 CSA C22.2 No. 213-M1987

PART NUMBER	VOLTAGE
36-64109-xxx-HAZ	130VDC
36-64209-xxx-HAZ	250VDC

TOLERANCES UNLESS OTHERWISE SPECIFIED		ENGLISH
MACHINED SURFACES	$\sqrt{125}$ MAX	
GROUND SURFACES	$\sqrt{32}$ MAX	
ANGLE TOLERANCE	$\pm 1^\circ$	
REMOVE BURRS & SHARP EDGES TO .015 MAX.		
DIMENSIONS SHOWN IN OVALS ARE INSPECTION DIMENSIONS.		0.X ± 0.05 0.XX ± 0.01 0.XXX ± 0.005

 A COMPANY OF MARÉCHAL ÉLECTRIQUE		DRAWING TITLE:	
		DSDC6 HAZARDOUS LOCATION METAL RECEPTACLE, 60A, 2P+G	
DATE:	APPROVED:	SCALE:	MATERIAL:
		NTS	BLACK METAL CASING
SHEET:	PART NUMBER		REVISION
1 OF 1	36-64x09-xxx-HAZ		