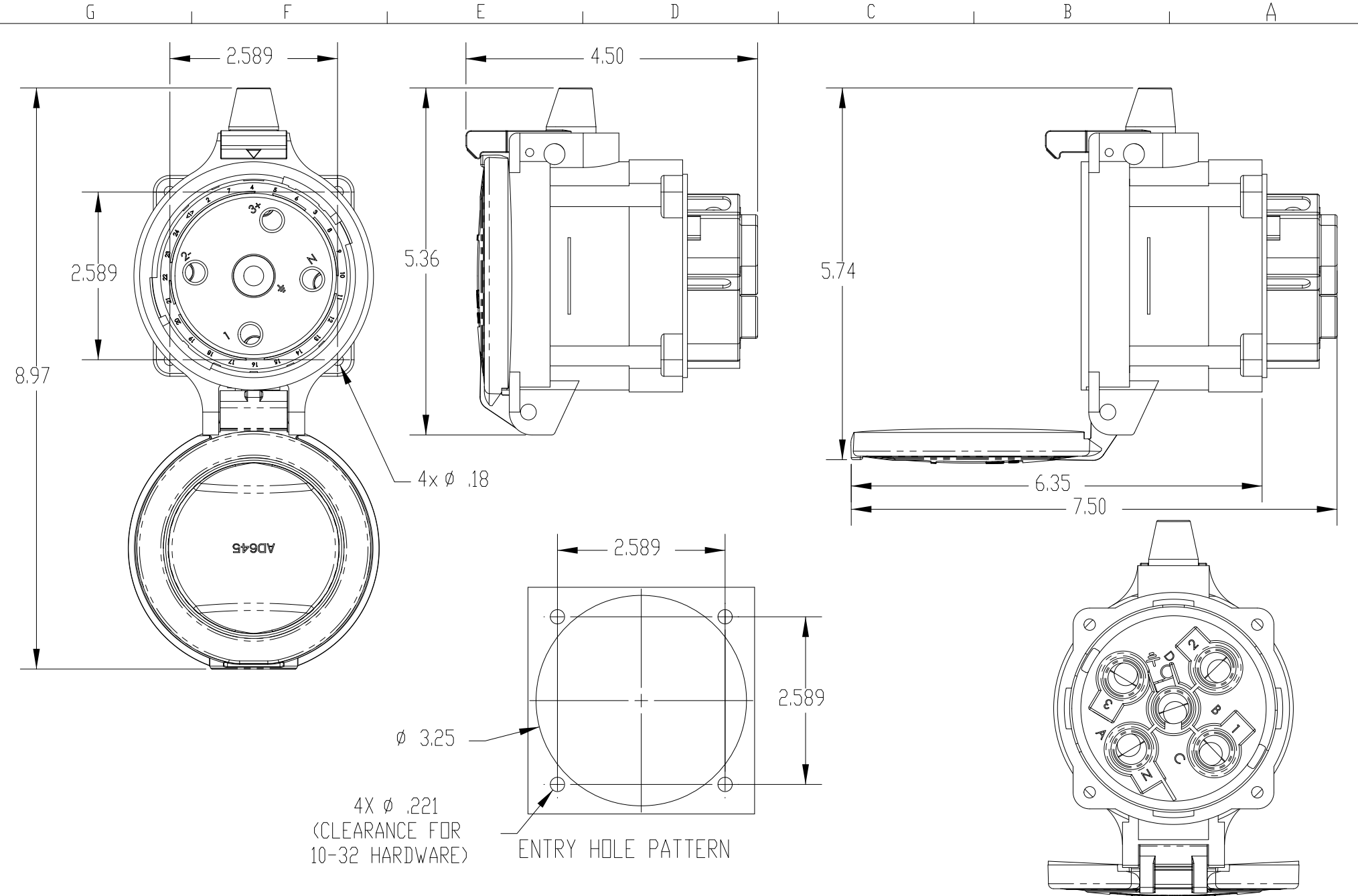


This drawing is the property of MELTRIC Corporation, Franklin (Milwaukee) Wisconsin, USA. Any unauthorized copying of this drawing by any means, or disclosure of its contents to any person not authorized by MELTRIC Corporation or its agents to receive it, is strictly prohibited.



**CERTIFICATIONS:**  
 CSA C22.2 No. 182.1-07  
 CSA C22.2 No. 213-M1987

TOLERANCES UNLESS OTHERWISE SPECIFIED		MELTRIC	
MACHINED SURFACES	$\sqrt{125}$ MAX	A COMPANY OF MARECHAL ELECTRIC	
GROUND SURFACES	$\sqrt{32}$ MAX	DRAWN	APPROVED
ANGLE TOLERANCE	$\pm 1^\circ$	DRAWING TITLE:	
REMOVE BURRS & SHARP EDGES TO .015 MAX.		DATE:	DSDC6 HAZARDOUS LOCATION RECEPTACLE, 250V, 60A
		SCALE:	MATERIAL:
		NTS	BLACK METAL CASING
		SHEET:	PART NUMBER
		1 OF 1	36-64209-xxx-HAZ
			REVISION