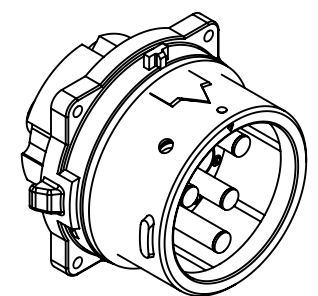
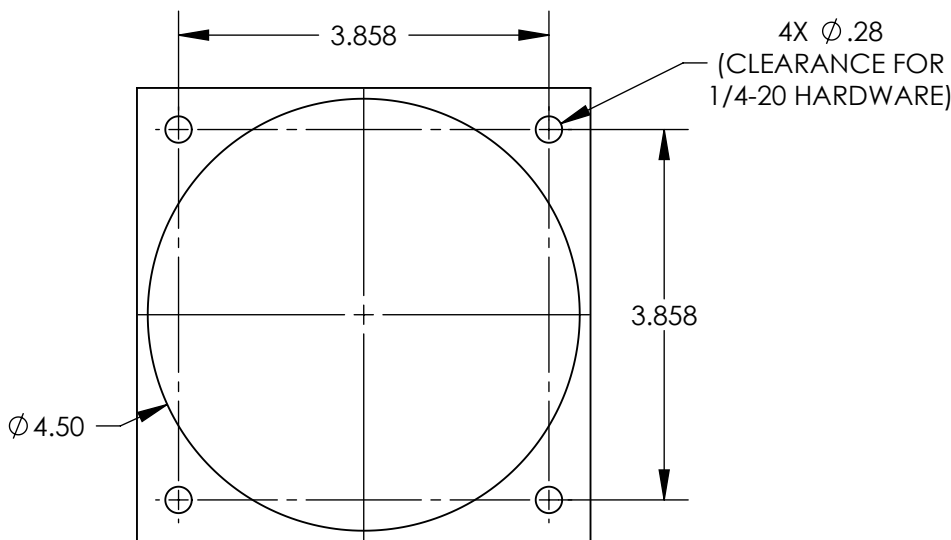
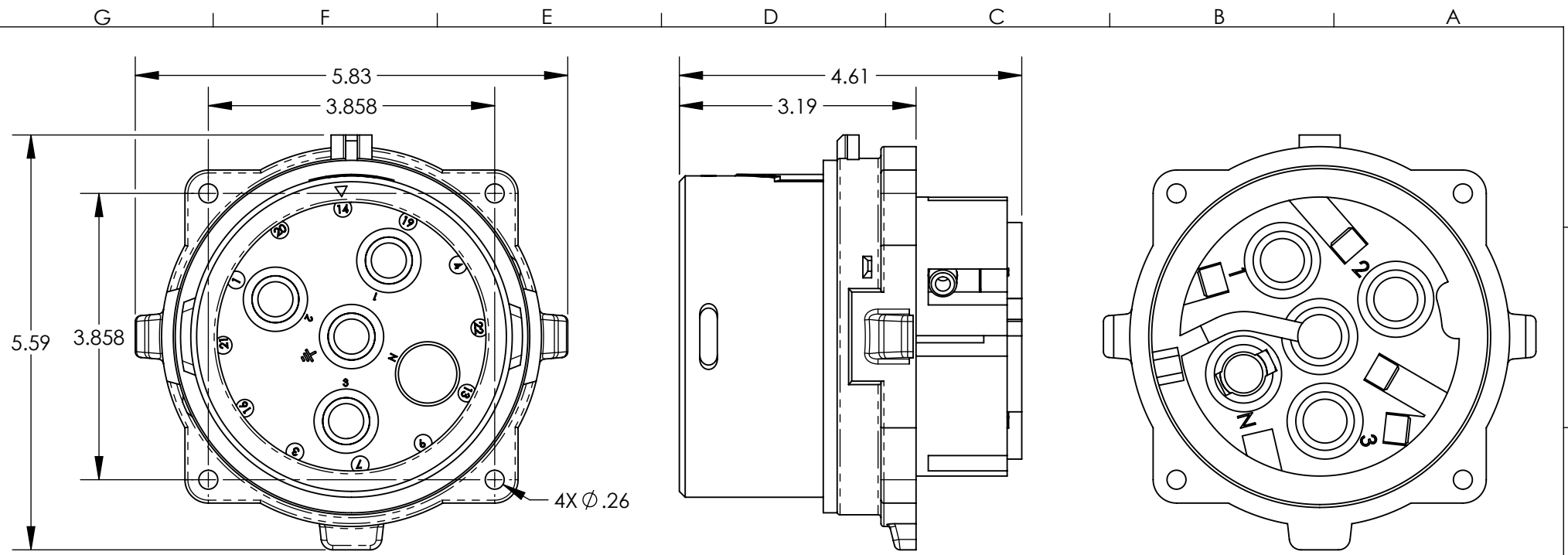


This drawing is the property of MELTRIC Corporation, Franklin (Milwaukee), Wisconsin, USA. Any unauthorized copying of this drawing by any means, ENG/RD/06 REV: 20 ISSUED DATE: 11/15/11 or disclosure of its contents to any person not authorized by MELTRIC Corporation or its agents to receive it, is strictly prohibited.



**HAZARDOUS RATINGS:**  
 CII Div2, Gr ABCD, T6  
 CII Zone 2, IIC

ENTRY HOLE PATTERN

|  |   |  |              |
|--|---|--|--------------|
| TOLERANCES UNLESS OTHERWISE SPECIFIED                                    |   | <br><b>MELTRIC</b><br>A COMPANY OF MARÉCHAL ÉLECTRIC |              |
| MACHINED SURFACES $\sqrt[125]{\text{MAX}}$                               | GROUND SURFACES $\sqrt[32]{\text{MAX}}$ |  |              |
| ANGLE TOLERANCE $\pm 1^\circ$  | REMOVE BURRS & SHARP EDGES TO .015 MAX. | DATE:  | SCALE        |
| DIMENSIONS SHOWN IN OVALS ARE INSPECTION DIMENSIONS.                     |   | DRAWING TITLE:                                       |              |
|  |   | DS200 HAZARDOUS LOCATION INLET                       |              |
| <b>ENGLISH</b><br>0.X $\pm 0.05$<br>0.XX $\pm 0.01$<br>0.XXX $\pm 0.005$ |   | MATERIAL:  | REVISION     |
|  |   | SHEET: 1 OF 1  | METAL CASING |
|  |   | PART NUMBER: 36-28xxx-xxx-HAZ                        |              |