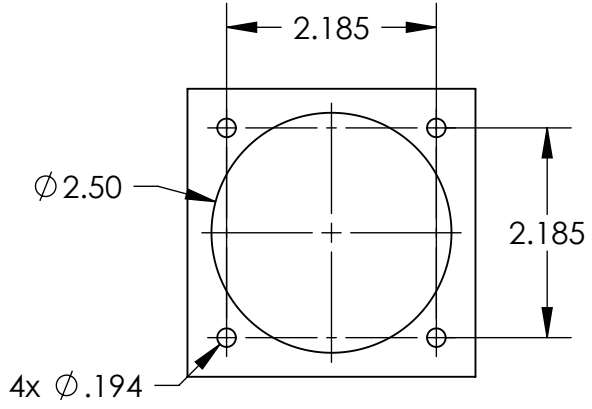
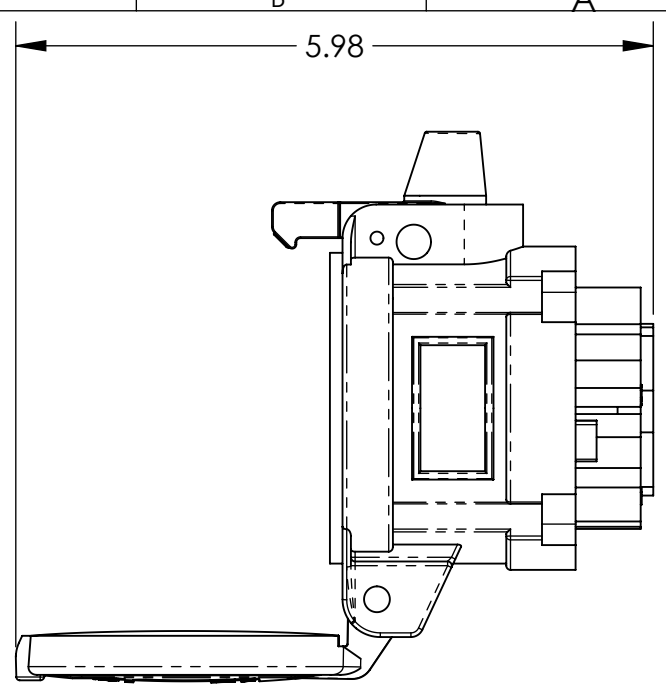
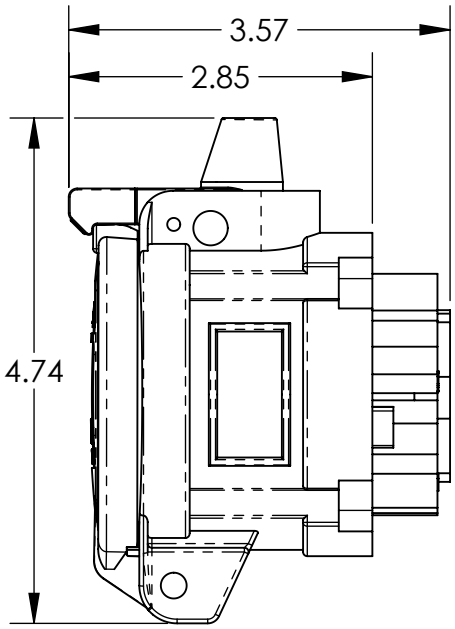
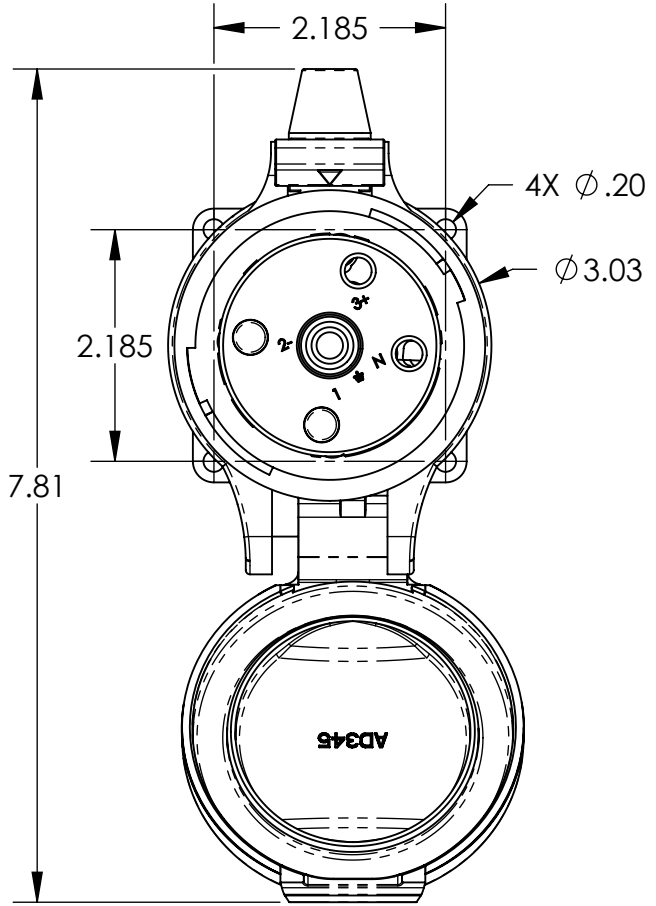
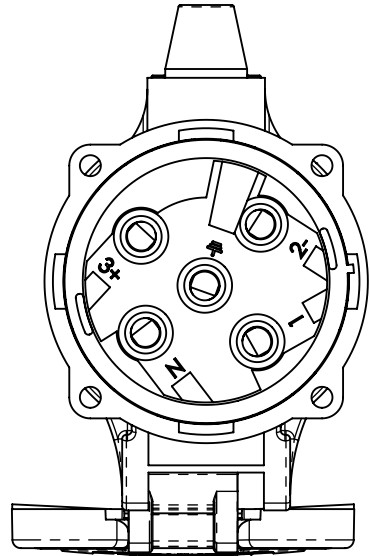


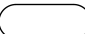
This drawing is the property of MELTRIC Corporation, Franklin (Milwaukee), Wisconsin, USA. Any unauthorized copying of this drawing by any means, ENGR/RD/06 REV: 21 ISSUED DATE: 10/7/16 or disclosure of its contents to any person not authorized by MELTRIC Corporation or its agents to receive it, is strictly prohibited.




ENTRY HOLE PATTERN



HAZARDOUS RATINGS:
 ClI Div2, Gr ABCD, T6
 ClI Zone 2, IIC

TOLERANCES UNLESS OTHERWISE SPECIFIED	
MACHINED SURFACES $\sqrt[125]{\text{MAX}}$	ENGLISH 0.X ±0.05 0.XX ±0.01 0.XXX ±0.005
GROUND SURFACES $\sqrt[32]{\text{MAX}}$	
ANGLE TOLERANCE ±1°	
REMOVE BURRS & SHARP EDGES TO .015 MAX.	
 DIMENSIONS SHOWN IN OVALS ARE INSPECTION DIMENSIONS.	

 A COMPANY OF MARÉCHAL ELECTRIC		DRAWING TITLE:	
DRAWN	APPROVED	DS30 HAZARDOUS LOCATION RECEPTACLE	
DATE:		SCALE	MATERIAL:
		NTS	BLACK POLY CASE
SHEET:		PART NUMBER	
1 OF 1		35-34xxx-xxx-HAZ	
			REVISION