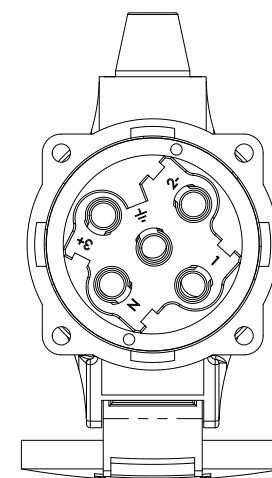
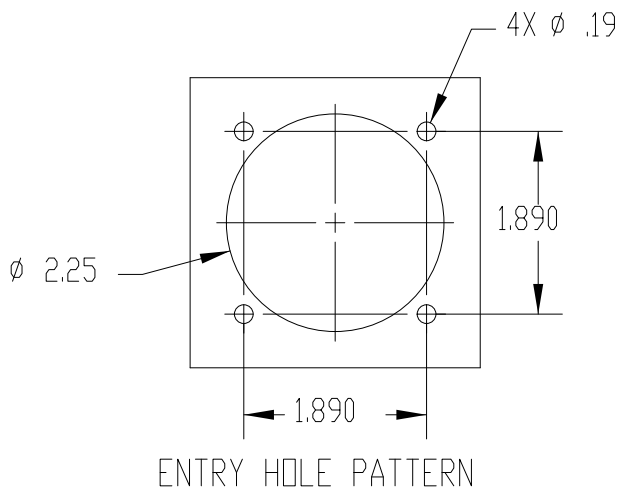
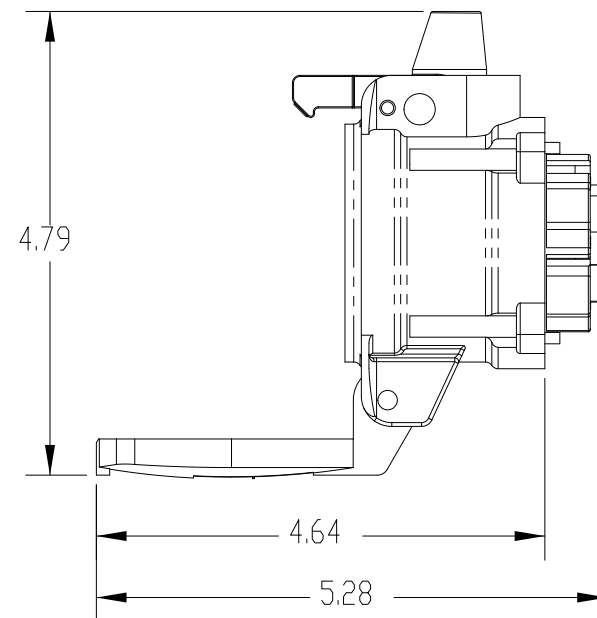
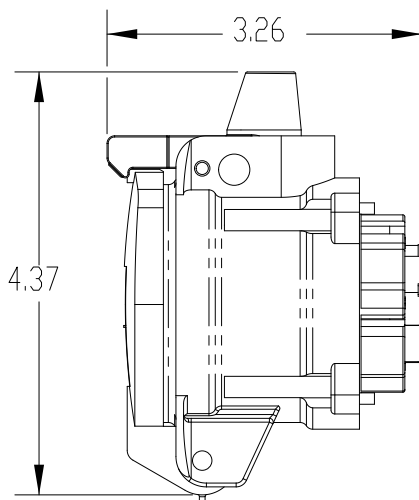
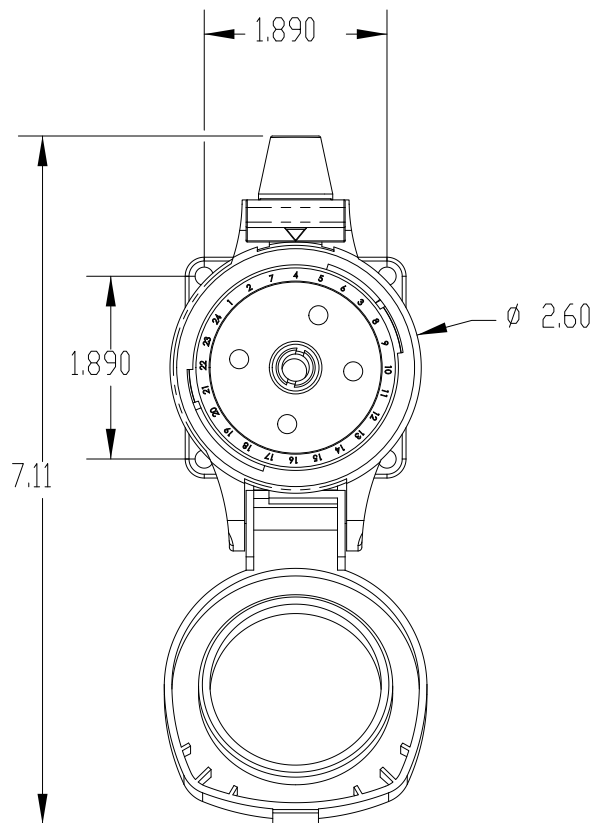


This drawing is the property of MELTRIC Corporation, Franklin (Milwaukee) Wisconsin, USA. Any unauthorized copying of this drawing by any means, or disclosure of its contents to any person not authorized by MELTRIC Corporation or its agents to receive it, is strictly prohibited.



CERTIFICATIONS:
 CSA C22.2 No. 182.1-07
 CSA C22.2 No. 213-M1987

TOLERANCES UNLESS OTHERWISE SPECIFIED		 A COMPANY OF MARÉCHAL ÉLECTRIQUE	
MACHINED SURFACES	125 $\sqrt{\text{MAX}}$		
GROUND SURFACES	32 $\sqrt{\text{MAX}}$	DRAWING TITLE:	
ANGLE TOLERANCE	$\pm 1^\circ$	DSDC1 HAZARDOUS LOC RECEPT, 130V, 20A, 2P+2P+G	
REMOVE BURRS & SHARP EDGES TO .015 MAX.		DATE:	SCALE
			NTS
		MATERIAL:	
		BLACK POLY CASING	
		SHEET:	PART NUMBER
		1 OF 1	35-1410P-HAZ
			REVISION