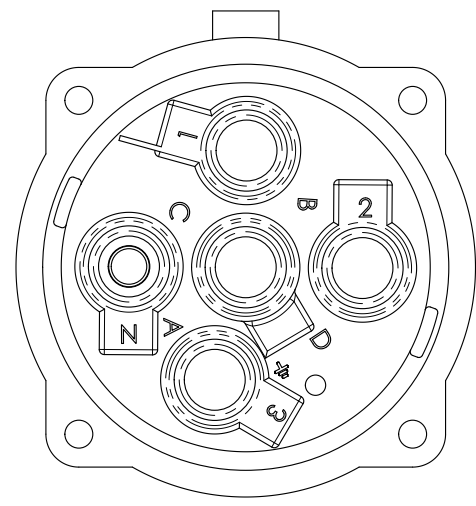
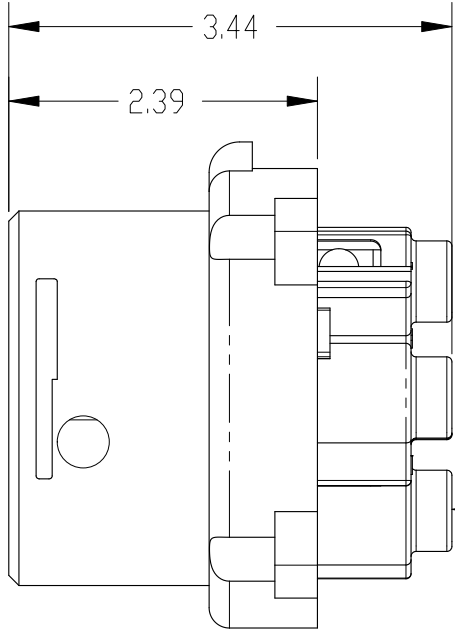
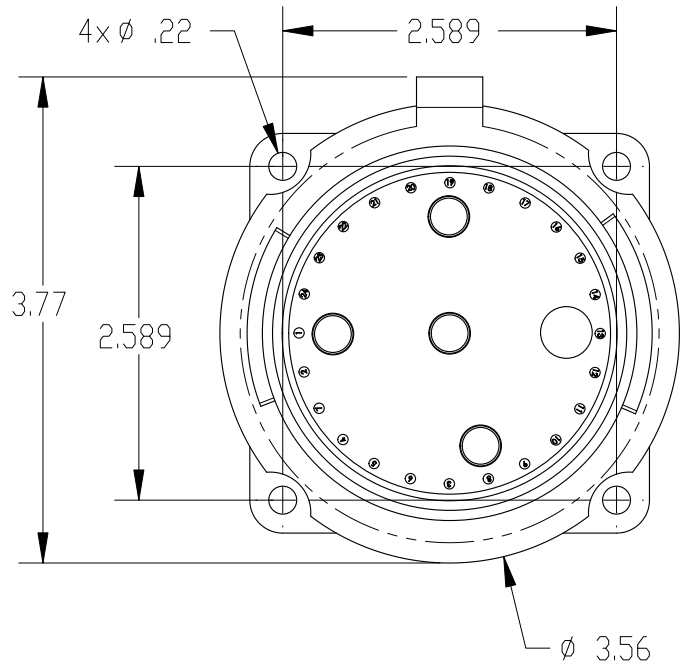
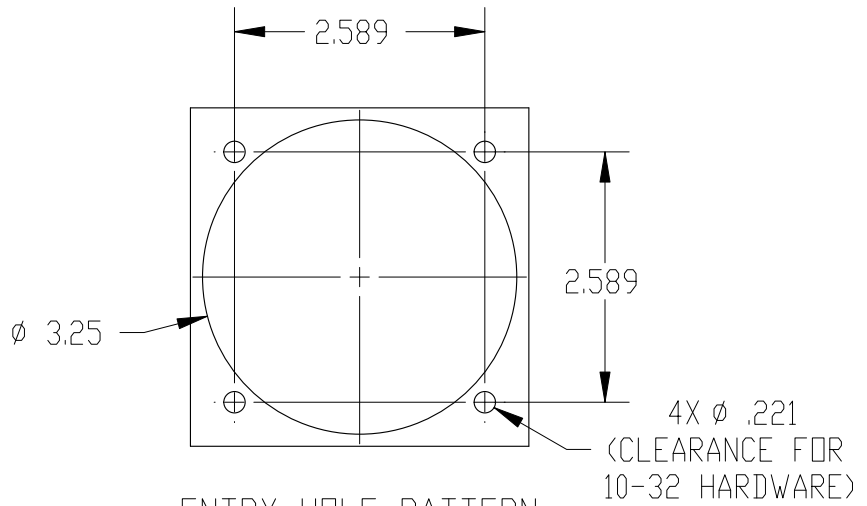



This drawing is the property of MELTRIC Corporation, Franklin (Milwaukee) Wisconsin, USA. Any unauthorized copying of this drawing by any means, or disclosure of its contents to any person not authorized by MELTRIC Corporation or its agents to receive it, is strictly prohibited.




600 AND 750VDC
 DEVICES WILL HAVE
 JUMPERS & EXTRA
 CONTACTS.



ENTRY HOLE PATTERN

TOLERANCES UNLESS OTHERWISE SPECIFIED	
MACHINED SURFACES	$\sqrt{125}$ MAX
GROUND SURFACES	$\sqrt{32}$ MAX
ANGLE TOLERANCE	$\pm 1^\circ$
REMOVE BURRS & SHARP EDGES TO .015 MAX.	
 DIMENSIONS SHOWN IN OVALS ARE INSPECTION DIMENSIONS.	
ENGLISH $0.X \pm 0.05$ $0.XX \pm 0.01$ $0.XXX \pm 0.005$	

 A COMPANY OF MARÉCHAL ELECTRIC			
DRAWN	APPROVED	DRAWING TITLE:	
DATE:	SCALE	DSDC6 POLY INLET, ALL VOLTAGES/AMPERAGES	
	NTS	MATERIAL: BLUE POLY CASING	
SHEET:	PART NUMBER		REVISION
1 OF 1	33-68xxx(-xxx)		