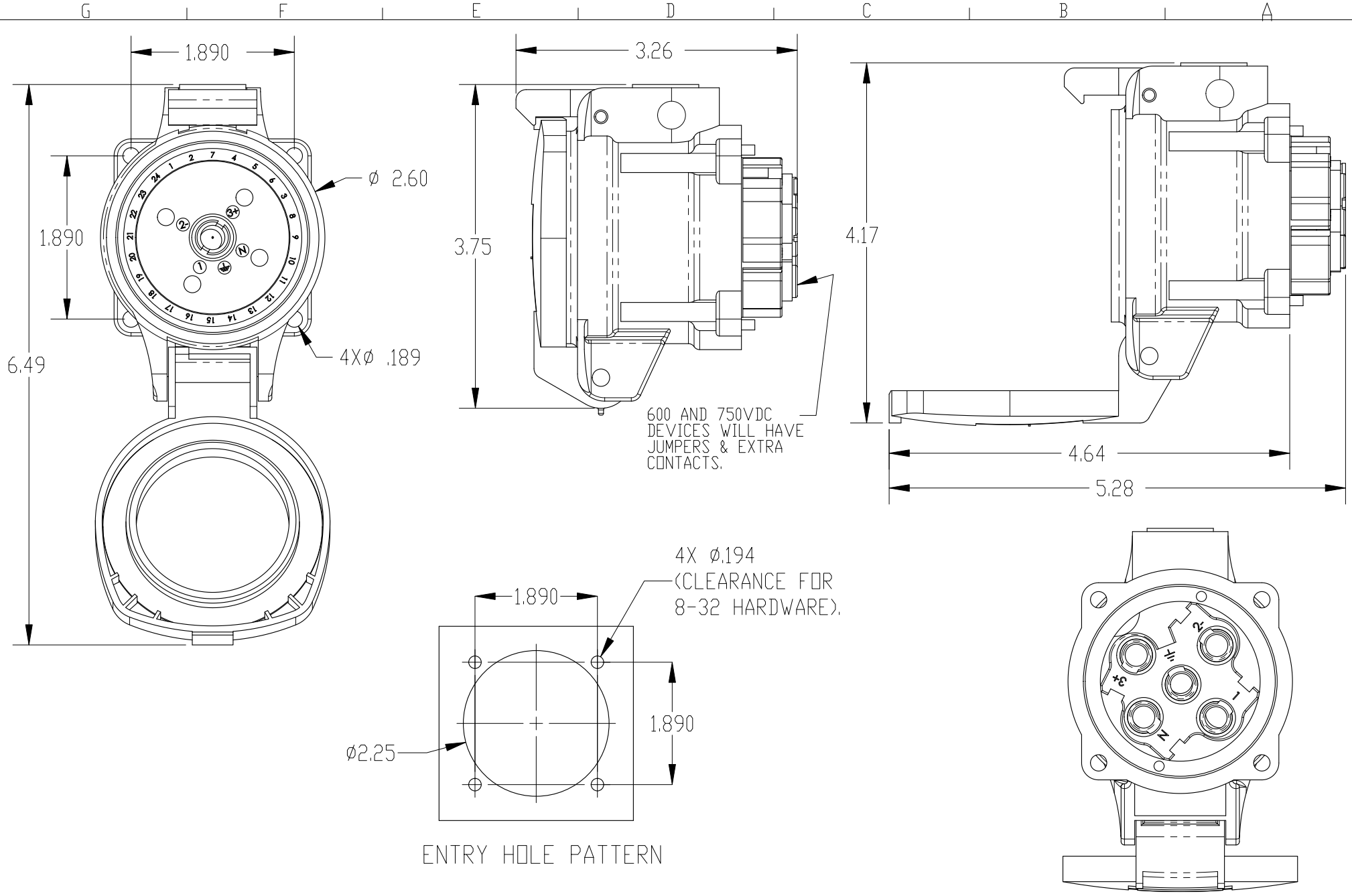


This drawing is the property of MELTRIC Corporation, Franklin (Milwaukee), Wisconsin, USA. Any unauthorized copying of this drawing by any means, or disclosure of its contents to any person not authorized by MELTRIC Corporation or its agents to receive it, is strictly prohibited.



ENTRY HOLE PATTERN

TOLERANCES UNLESS OTHERWISE SPECIFIED		 MELTRIC A COMPANY OF MARECHAL ELECTRIC			
MACHINED SURFACES	$\sqrt{125}$ MAX			ENGLISH	
GROUND SURFACES	$\sqrt{32}$ MAX	0.X ± 0.05	DRAWN	APPROVED	DRAWING TITLE: DSDC1 RECEPT., ALL VOLTAGES/AMPERAGES
ANGLE TOLERANCE	$\pm 1^\circ$	0.XX ± 0.01	DATE:	SCALE	
REMOVE BURRS & SHARP EDGES TO .015 MAX.		0.XXX ± 0.005	SHEET:	PART NUMBER	REVISION
DIMENSIONS SHOWN IN OVALS ARE INSPECTION DIMENSIONS.			1 OF 1	33-14xxx(-xxx)	