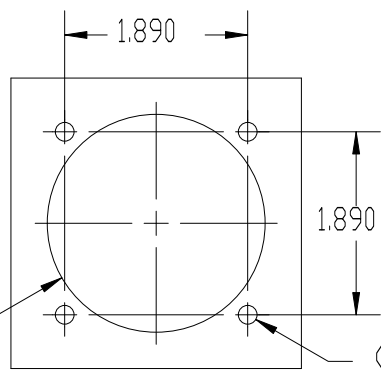
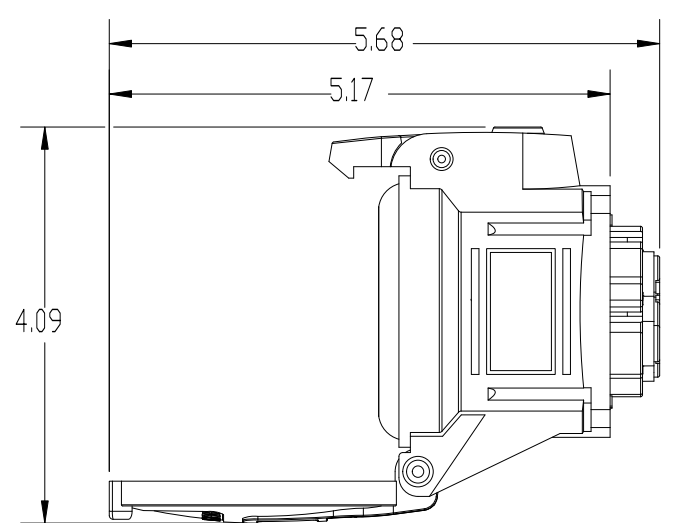
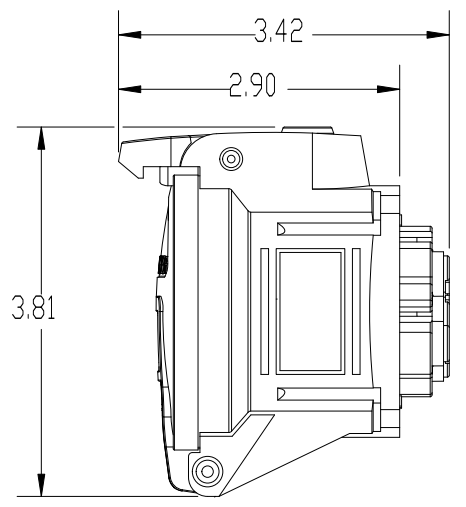
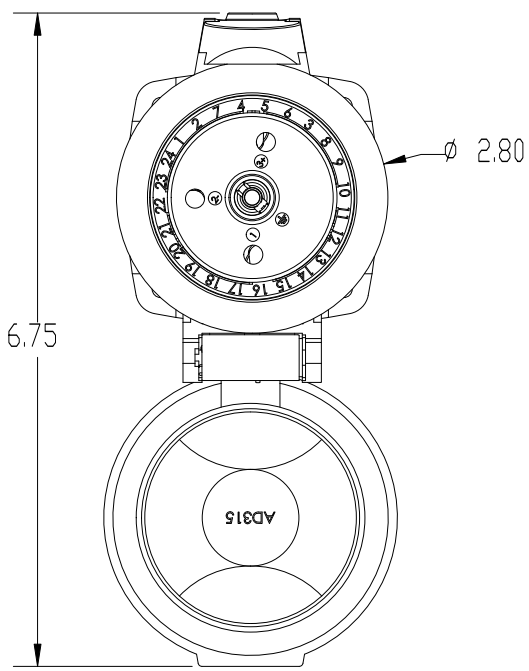
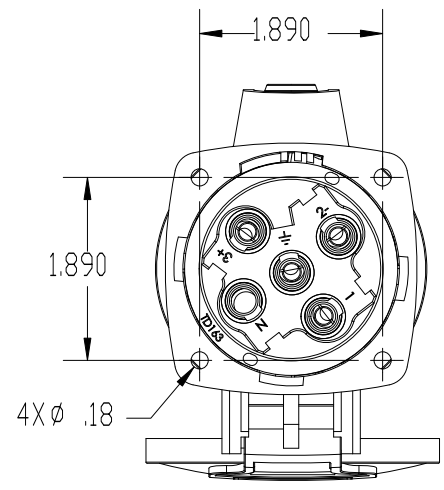
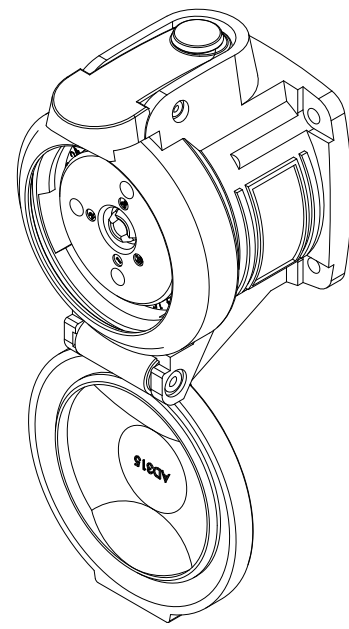


This drawing is the property of MELTRIC Corporation, Franklin (Milwaukee), Wisconsin, USA. Any unauthorized copying of this drawing by any means, or disclosure of its contents to any person not authorized by MELTRIC Corporation or its agents to receive it, is strictly prohibited.



ENTRY HOLE PATTERN

4 X ϕ .192
(CLEARANCE FOR 8-32
HARDWARE)



TOLERANCES UNLESS OTHERWISE SPECIFIED		 A COMPANY OF MARÉCHAL ÉLECTRIQUE		DRAWING TITLE:	
MACHINED SURFACES	125 $\sqrt{\text{MAX}}$			ENGLISH	DATE:
GROUND SURFACES	32 $\sqrt{\text{MAX}}$	0.X ± 0.05	SCALE	MATERIAL:	NTS BLUE POLY CASING
ANGLE TOLERANCE	$\pm 1^\circ$	0.XX ± 0.01	DATE:	SHEET:	1 OF 1
REMOVE BURRS & SHARP EDGES TO .015 MAX.		0.XXX ± 0.005	SCALE	PART NUMBER	31-14xxx-Kxx
DIMENSIONS SHOWN IN OVALS ARE INSPECTION DIMENSIONS.			REVISION		