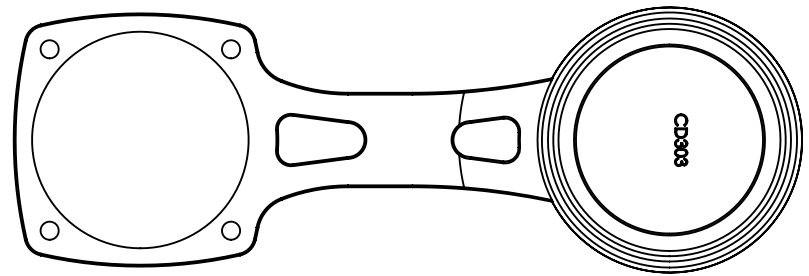
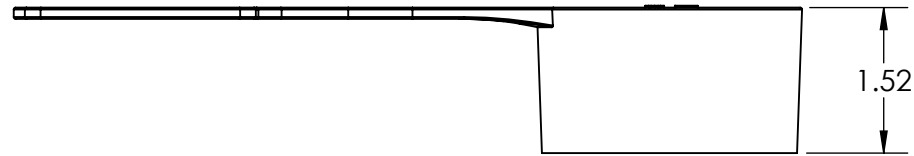
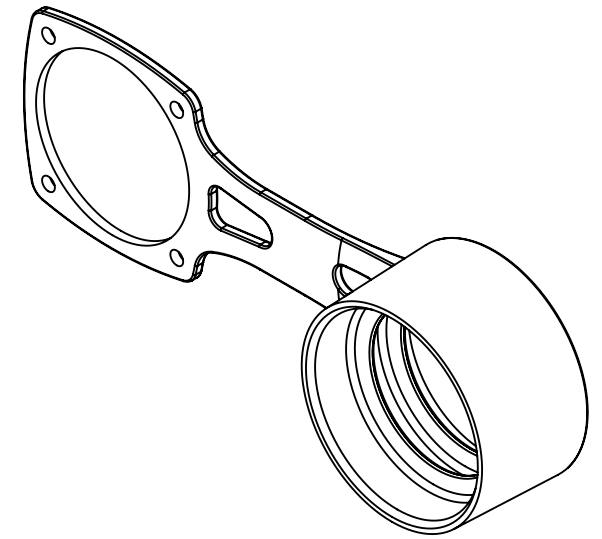
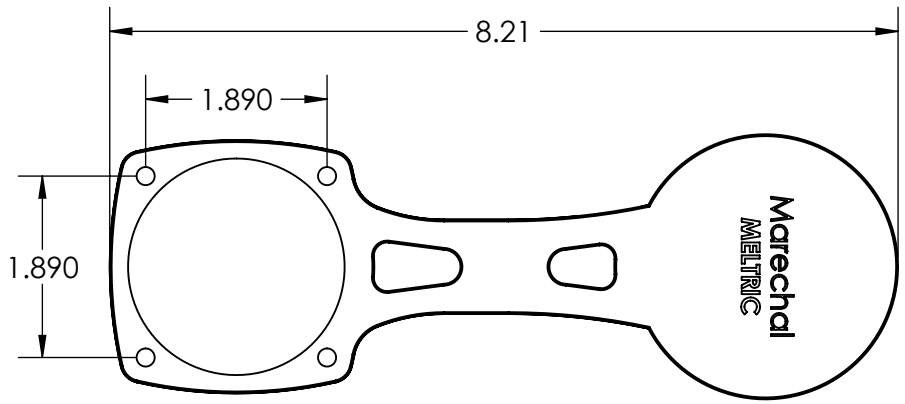



This drawing is the property of MELTRIC Corporation, Franklin (Milwaukee) Wisconsin, USA. Any unauthorized copying of this drawing by any means, ENG/RD/06 REV: 21 ISSUED DATE: 10/7/16 or disclosure of its contents to any person not authorized by MELTRIC Corporation or its agents to receive it, is strictly prohibited.



TOLERANCES UNLESS OTHERWISE SPECIFIED		 A COMPANY OF MARECHAL ELECTRIC		DRAWING TITLE:	
MACHINED SURFACES $\sqrt{125}$ MAX GROUND SURFACES $\sqrt{32}$ MAX ANGLE TOLERANCE $\pm 1^\circ$ REMOVE BURRS & SHARP EDGES TO .015 MAX.	ENGLISH 0.X ± 0.05 0.XX ± 0.01 0.XXX ± 0.005			PROTECTIVE INLET CAP	
DIMENSIONS SHOWN IN OVALS ARE INSPECTION DIMENSIONS.		DRAWN: _____ DATE: _____	APPROVED: _____ SCALE: NTS	RUBBER	
		SHEET: 1 OF 1	PART NUMBER: 281A426		REVISION: _____