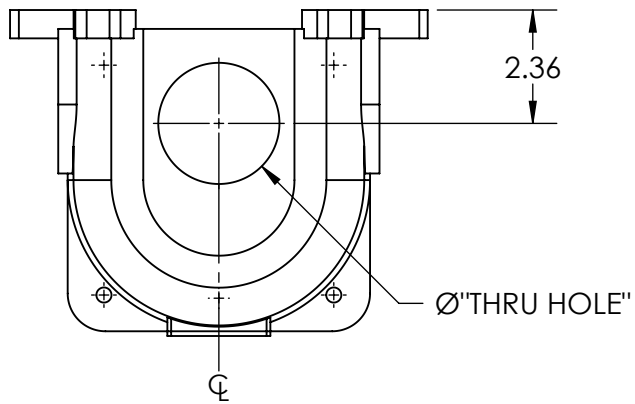
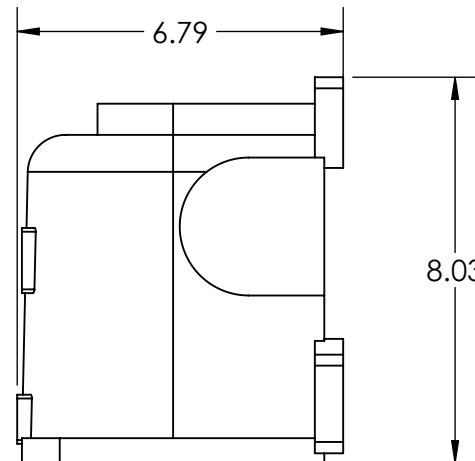
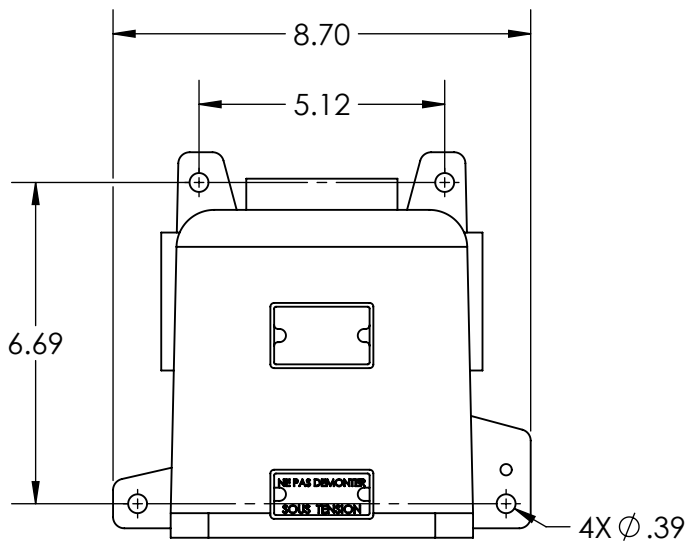
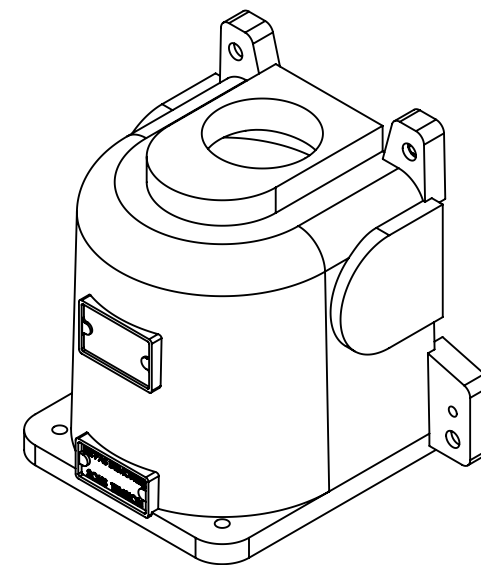


This drawing is the property of MELTRIC Corporation, Franklin (Milwaukee), Wisconsin, USA. Any unauthorized copying of this drawing by any means, ENG/RD/06 REV: 21 ISSUED DATE: 10/7/16 or disclosure of its contents to any person not authorized by MELTRIC Corporation or its agents to receive it, is strictly prohibited.



PART NUMBER	NPT SIZE
26-6A023-1	1" NPT
26-6A023-114	1-1/4" NPT
26-6A023-112	1-1/2" NPT
26-6A023-2	2" NPT



TOLERANCES UNLESS OTHERWISE SPECIFIED		MELTRIC		DRAWING TITLE:	
MACHINED SURFACES $\sqrt[125]{\text{MAX}}$	ENGLISH	DRAWN	APPROVED	DX60 METAL WALL BOX	
GROUND SURFACES $\sqrt[32]{\text{MAX}}$		DATE:	SCALE	MATERIAL:	
ANGLE TOLERANCE $\pm 1^\circ$	0.X $\pm 0.05$ 0.XX $\pm 0.01$ 0.XXX $\pm 0.005$	SHEET:	NTS	METAL	
REMOVE BURRS & SHARP EDGES TO .015 MAX.		1 OF 1	PART NUMBER	REVISION	
DIMENSIONS SHOWN IN OVALS ARE INSPECTION DIMENSIONS.			26-6A023-xxx		